

Protein family review

The vascular endothelial growth factor (VEGF) family: angiogenic factors in health and disease

David IR Holmes^{*†} and Ian Zachary^{*}

Addresses: ^{*}BHF Laboratories and The Rayne Institute, Department of Medicine, University College London, 5 University Street, London WC1E 6JJ, UK. [†]Ark Therapeutics Ltd, 1 Fitzroy Mews, London W1T 6DE, UK.

Correspondence: Ian Zachary. E-mail: I.Zachary@ucl.ac.uk

Published: 1 February 2005

Genome Biology 2005, **6**:209

The electronic version of this article is the complete one and can be found online at <http://genomebiology.com/2005/6/2/209>

© 2005 BioMed Central Ltd

Summary

Vascular endothelial growth factors (VEGFs) are a family of secreted polypeptides with a highly conserved receptor-binding cystine-knot structure similar to that of the platelet-derived growth factors. VEGF-A, the founding member of the family, is highly conserved between animals as evolutionarily distant as fish and mammals. In vertebrates, VEGFs act through a family of cognate receptor tyrosine kinases in endothelial cells to stimulate blood-vessel formation. VEGF-A has important roles in mammalian vascular development and in diseases involving abnormal growth of blood vessels; other VEGFs are also involved in the development of lymphatic vessels and disease-related angiogenesis. Invertebrate homologs of VEGFs and VEGF receptors have been identified in fly, nematode and jellyfish, where they function in developmental cell migration and neurogenesis. The existence of VEGF-like molecules and their receptors in simple invertebrates without a vascular system indicates that this family of growth factors emerged at a very early stage in the evolution of multicellular organisms to mediate primordial developmental functions.

The formation of a vascular system is a prerequisite for vertebrate embryogenesis and involves two fundamental processes: vasculogenesis, defined as the differentiation of endothelial cell progenitors and their assembly into the primary capillary plexus, and angiogenesis, the sprouting of new capillaries from pre-existing vessels [1]. In the adult, angiogenesis is also essential during pregnancy and in tissue growth and repair, and is a key underlying process in the pathogenesis of several major human diseases, including cancer. Since its discovery in 1983 [2] and the subsequent cloning of the gene in 1989 [3,4], vascular endothelial growth factor (VEGF-A, also called VEGF or vascular permeability factor) has emerged as the single most important regulator of blood vessel formation in health and disease; it is essential for embryonic vasculogenesis and angiogenesis, and is a key mediator of neovascularization in cancer and other diseases [1]. VEGF-A is the prototypical member of a family of related growth factors that includes placental growth factor (PLGF), VEGF-B, VEGF-C, and VEGF-D (also

known as c-Fos-induced growth factor, FIGF), and the viral VEGF-Es encoded by strains *D1701*, *NZ2* and *NZ7* of the parapoxvirus *Orf* (which causes pustular dermatitis) [5,6]. The biological functions of the VEGFs are mediated by a family of cognate protein tyrosine kinase receptors (VEGFRs) [7-9]. VEGF-A binds to VEGFR2 (also called KDR/Flk-1) and VEGFR1 (Flt-1); VEGF-C and VEGF-D bind VEGFR2 and VEGFR3 (Flt4); PLGF and VEGF-B bind only to VEGFR1; and VEGF-E binds only to VEGFR2. In addition, certain VEGF family isoforms bind to non-tyrosine kinase receptors called neuropilins (NRPs) [10,11].

Gene organization and evolutionary history Evolution

VEGFs belong to the VEGF/PDGF (platelet-derived growth factor) group of the cystine-knot superfamily of hormones and extracellular signaling molecules [12], which are all characterized by the presence of eight conserved cysteine

residues forming the typical cystine-knot structure (named after cystine, a dimer of two cysteines linked by a disulfide bond). The VEGF/PDGF group is evolutionarily related to other groups within the cystine-knot superfamily, notably the glycoprotein hormone and mucin-like protein families and, more distantly, the transforming growth factor- β (TGF- β) family. The absence of any of these proteins in unicellular eukaryotes such as yeast suggests that the cystine-knot structure evolved to perform hormonal and extracellular-signaling functions in multicellular organisms with tissue-level organization.

The known members of the human VEGF family are shown in Table 1. VEGFs have been found in all vertebrate species so far examined and are highly conserved between species. VEGF-A has been found in teleost fish (the zebrafish *Danio*

rerio and the pufferfish *Fugu rubripes*), frogs (*Xenopus laevis*), birds (*Gallus gallus*), and mammals (Table 1). The sequence and genomic organization of the vertebrate VEGF-A genes is highly conserved between teleost fish and mammals, even though separation of these two groups from their common ancestor occurred around 450 million years ago: pufferfish VEGF-A shows 68% and 69.7% amino-acid identity with human and mouse VEGF-A, respectively [13].

VEGF-like proteins emerged relatively early in the evolution of multicellular animal life, as indicated by their presence in several invertebrate species. Invertebrate VEGF/VEGFR systems have been identified in fly (*Drosophila melanogaster*), nematode (*Caenorhabditis elegans*) and, most recently, jellyfish (*Podocoryne carnea*). *Drosophila* has three PDGF/VEGF-like factors (PVFs), which act through a

Table 1**The human VEGF family and related proteins from *Drosophila* and Orf virus**

Species (strain) and gene name	Number of exons	Chromosomal location*	Accession number†	References	Homologs‡ found in other species
Human VEGF-A	8	6p12	NM_003376	[59]	<i>Mus musculus</i> <i>Rattus norvegicus</i> <i>Sus scrofa</i> <i>Bos taurus</i> <i>Canis familiaris</i> <i>Gallus gallus</i> <i>Xenopus laevis</i> <i>Danio rerio</i> <i>Fugu rubripes</i>
Human VEGF-B	7	11q13	NM_003377	[23]	<i>M. musculus</i> <i>R. norvegicus</i> <i>B. taurus</i>
Human VEGF-C	7	4q34.1-q34.3	NM_005429	[60]	<i>M. musculus</i> <i>R. norvegicus</i> <i>B. taurus</i>
Human VEGF-D	7	Xp22.31	NM_004469	[61]	<i>M. musculus</i> <i>R. norvegicus</i> <i>B. taurus</i>
Human PLGF	7	14q24-q31	NM_002632	[22]	<i>M. musculus</i> <i>R. norvegicus</i> <i>B. taurus</i>
Orf virus (D1701) VEGF-E	-	-	AF106020		-
Orf virus (NZ2) VEGF-E	-	-	S67520		-
Orf virus (NZ7) VEGF-E	-	-	S67522		-
<i>D. melanogaster</i> PVF1	6	X 17E1-17E6	NM_078683	[14-16]	<i>Caenorhabditis elegans</i> § <i>Podocoryne carnea</i> ¶
<i>D. melanogaster</i> PVF2	5	2L 27E1	NM_078775	[16]	-
<i>D. melanogaster</i> PVF3	6	2L 27E1-27E2	NM_078776	[16]	-

*Chromosome locations of human and *Drosophila* genes are from Entrez Gene and FlyBase. †Accession numbers are from RefSeq and GenBank.

‡Homolog data are from HomoloGene, Entrez Gene and [13]. §Putative homolog identified by survey of *C. elegans* genome [17]. ¶Possible homolog [18].

single receptor, PVR [14-16]. In *C. elegans*, four VEGFRs, VERs (vascular endothelial growth factor receptor related) 1, 2, 3 and 4, have been identified [17]. Definitive identification of a VER ligand is awaited, although a putative homolog of *Drosophila* PVF1 was revealed by a survey of the *C. elegans* genome [17]. A single VEGF/VEGFR system has been found in *P. carnea* [18], with the VEGF being a possible homolog of *Drosophila* PVF1. In all cases, the invertebrate ligands appear to be more closely related to the VEGFs than to the PDGFs.

Alignment of the VEGF/PDGF homology domains (VHD) of VEGFs, PDGFs and PVFs, encompassing the residues making up the cystine-knot structure, reveals a high degree of regional conservation (Figure 1a). The eight cysteine residues of the cystine-knot structure are highly conserved, except in *Drosophila* PVF2, which lacks cysteine 2, and human PDGF-C and PDGF-D, which both lack cysteine 4. Phylogenetic analysis of these sequences reveals that the VEGF/PDGF family tree is essentially composed of two branches evolved from a putative common ancestor, a VEGF branch comprising VEGFs A-D, PLGF, *Orf* virus encoded VEGF-Es and *Drosophila* PVFs 1-3, and a PDGF branch, comprising PDGFs A-D (Figure 1b). Within the human VEGF family, VEGF-A is most closely related to PLGF (53% amino-acid identity within the VHD [19]). The *Orf* virus-encoded VEGF-Es segregate into two groups, with VEGF-E_(D1701) and VEGF-E_(NZ2) most closely related to VEGF-A and PLGF, and VEGF-E_(NZ7) more similar to VEGF-C and VEGF-D. The *Drosophila* PVFs are more closely related to the VEGFs than the PDGFs, albeit distantly, with PVF1 most closely related to VEGF-C and VEGF-D (Figure 1b).

Gene structure and alternative splicing

The gene structures and encoded functional domains of human and *Drosophila* VEGFs are shown in Figure 2. The human VEGF genes are characterized by a highly conserved seven exon structure, with the exception of *VEGF-A*, which has eight exons. Alternative splicing of the human *VEGF-A* gene gives rise to at least six different transcripts (Table 2), encoding isoforms of the following lengths (in amino acids, excluding the signal peptide): 121 (120 in mouse), 145, 165 (164 in mouse), 183, 189 and 206 [20]. All transcripts contain exons 1-5 and 8, with diversity generated through the alternative splicing of exons 6 and 7. A hydrophobic signal sequence essential for secretion of VEGF-A is encoded within exon 1 and a small region of exon 2, and the VHD is encoded by exons 3 and 4. Human VEGF-A₁₂₁ and VEGF-A₁₆₅ and their equivalents in other species are the two major isoforms in mammals; VEGF-A₁₂₁ lacks exons 6 and 7, and VEGF-A₁₆₅ lacks exon 6 (Table 2). Exon 6 encodes a heparin-binding domain, while exons 7 and 8 encode a NRP1/heparin-binding domain; with the exception of VEGF-A₁₂₁, all isoforms are thought to bind the polysaccharide heparin. VEGF-A₁₆₅ binds to NRP1 and NRP2, whereas VEGF-A₁₄₅ binds only to NRP2 [10,11]. Recently, another splice variant of human VEGF-A was identified, VEGF-A_{165b},

which lacks exon 6 and contains an alternative exon 8 encoding a novel carboxy-terminal sequence, thereby raising the possibility of the existence of a family of sister isoforms containing this novel carboxyl terminus [21].

Human PLGF exists in four isoforms, PLGF-1 to PLGF-4, with PLGF-1 and PLGF-2 believed to be the major isoforms. The *PLGF-1* and *PLGF-2* transcripts encode isoforms (excluding signal peptide) of 131 and 152 amino acid residues, respectively. PLGF-2 is able to bind heparin and NRP1 through an exon 6 encoded heparin-binding domain [22]; PLGF-1 lacks exon 6 and is thus unable to bind heparin [19]. PLGF-3 also lacks exon 6 but additionally contains a 216-nucleotide insertion between exons 4 and 5. PLGF-4 consists of the same sequence as PLGF-3, plus the heparin-binding domain encoded by exon 6. PLGF-3 and PLGF-4 may function similarly to the larger VEGF-A isoforms, VEGF-A₁₈₉ and VEGF-A₂₀₆. In mice, PLGF-2 is the only PLGF isoform identified so far.

Alternative splicing of the human *VEGF-B* gene gives rise to two transcripts, encoding isoforms (excluding signal peptide) of 167 and 186 amino acid residues, differing only in their carboxy-terminal domains [23,24]. VEGF-B₁₈₆ transcripts contain the entire exon 6 and encode a soluble isoform. In VEGF-B₁₆₇ transcripts, the use of an alternative splice acceptor site in exon 6 introduces a frameshift, resulting in an alternative exon 6 (referred to as exon 6b in [23]), encoding an NRP1/heparin-binding domain similar to that encoded by exons 7 and 8 in VEGF-A₁₆₅.

Little is known about alternative splicing of human VEGF-C and VEGF-D, although multiple isoforms of mouse VEGF-D have been described [25]. VEGF-C and VEGF-D are closely related, both structurally and functionally. Both are ligands for VEGFR2 and VEGFR3 and are initially synthesized as disulfide-linked polypeptides containing amino- and carboxy-terminal propeptide extensions not found in other VEGF proteins, flanking a central receptor-binding VHD. The unprocessed full-length forms preferentially bind VEGFR3 and have low affinity for VEGFR2, whereas the fully processed forms have increased affinity for VEGFR2 [26,27]. VEGF-C and VEGF-D lack the NRP/heparin-binding domain found in some VEGF isoforms and appear to be unable to bind NRPs.

Characteristic structural features

The crystal structure of VEGF-A₈₋₁₀₉, comprising the VHD, has been determined [28] and subsequently refined to a resolution of 1.93 Å. These studies show that VEGF-A consists of two monomers, each containing a core cystine-knot structure held together by three intrachain disulphide bonds as in the structure of PDGF; the monomers are arranged head-to-tail in a homodimer with two interchain disulphide bridges. Mutational analysis has revealed that symmetrical binding

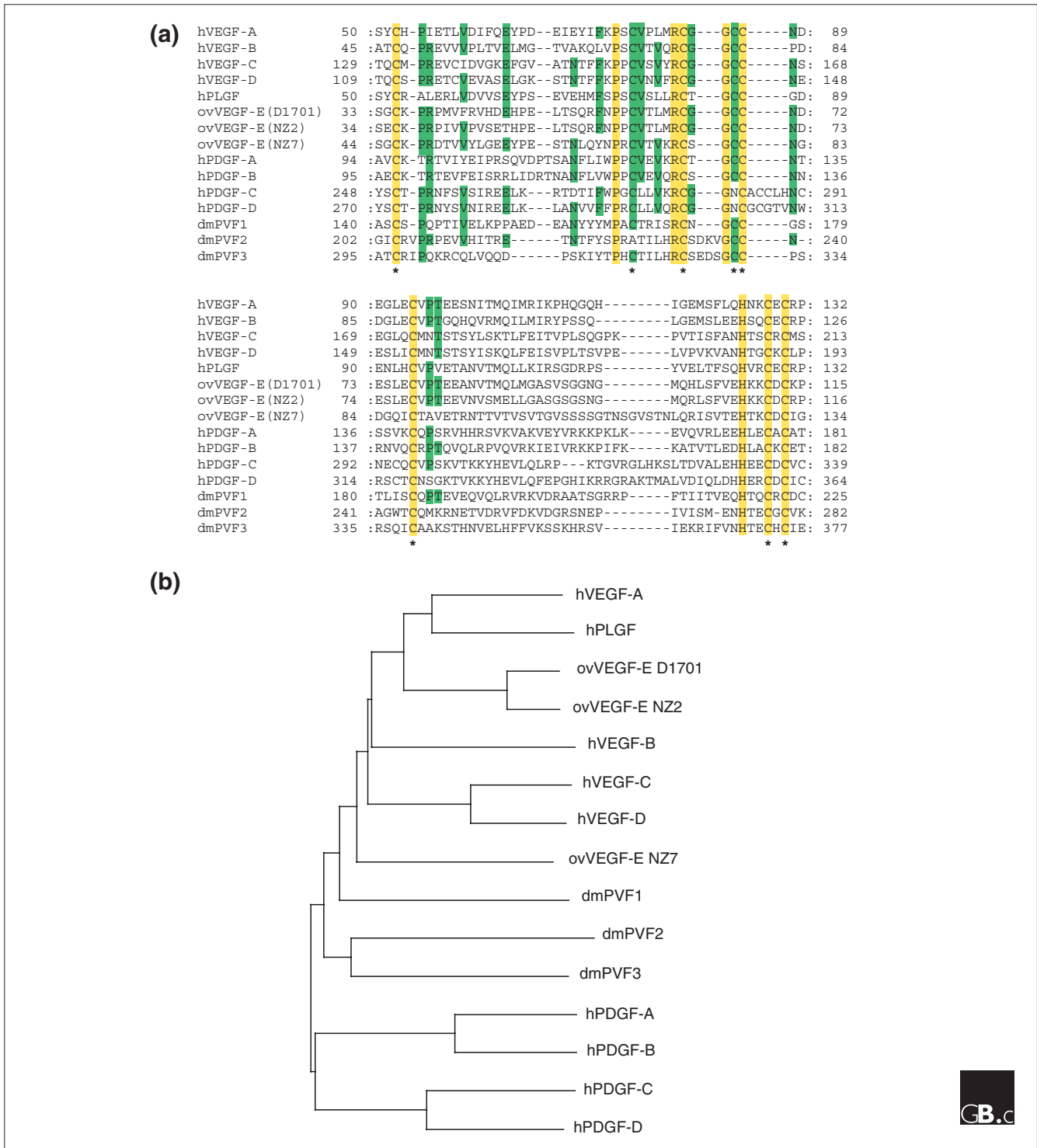


Figure 1
 Comparison of human VEGFs with PDGFs and related sequences from *Drosophila* and *Orf* virus. Abbreviations: h, human; dm, *Drosophila melanogaster*; ov, *Orf* virus. **(a)** An alignment of the deduced amino-acid sequences of the VEGF/PDGF homology domain (VHD) from various human, *Drosophila* and *Orf* virus VEGFs and PGDFs. Sequence data were obtained from the GenBank and SwissProt databases; the multiple alignment was generated using MultAlin and further optimized manually. Residues that are conserved in at least 50% of the aligned sequences are shaded in green; those fully conserved are in yellow. The eight cysteine residues that constitute the cystine-knot structure [12] are denoted by asterisks below the sequences. **(b)** Predicted evolutionary relationships between human, *Drosophila* and *Orf* virus VEGFs and PDGFs. VHD sequences from (a) were aligned using ClustalW and the neighbor-joining method was used to construct a phylogenetic tree with TreeView. Branch lengths are proportional to the estimated evolutionary distance between protein sequences.

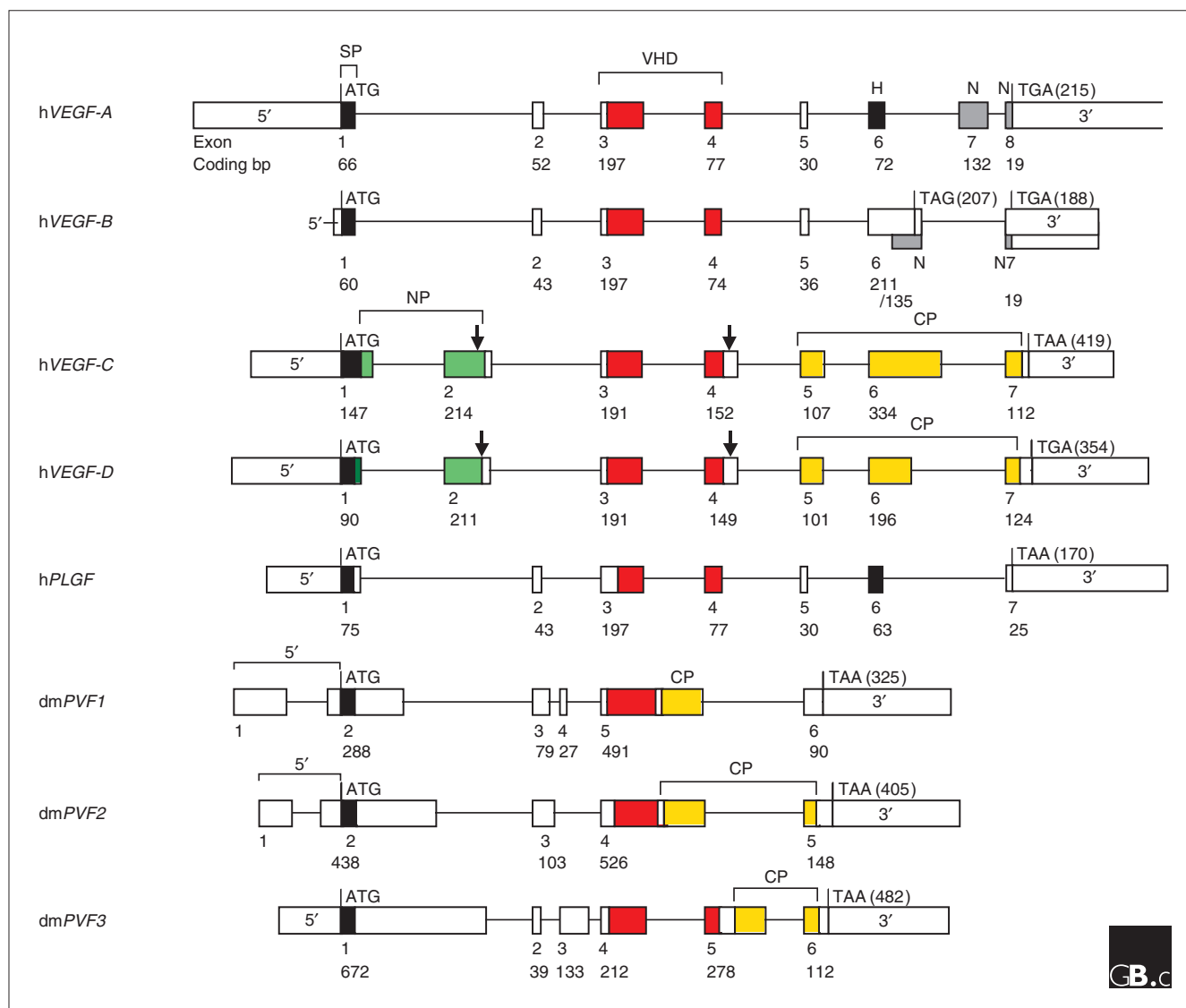


Figure 2

Gene organization and encoded functional domains of the human VEGF genes and related genes from *Drosophila*. Exons, represented by boxes, are numbered and the length of coding sequence in each is marked below in base-pairs. Start (ATG) and stop (TAA, TAG, TGA) codons are marked, and the length of each encoded unprocessed polypeptide including the signal peptide (in amino-acid residues) is indicated in parentheses. Exons are drawn to scale, except for the last exon of *hVEGF-A*, which is longer than 1 kilobase (kb). Introns, represented by horizontal lines, are not drawn to scale. Alternative exons and splicing patterns are not shown, with the exception of *hVEGF-B*, in which isoforms result from alternative splicing of exon 6 [23]. Arrows represent proteolytic cleavage sites. Abbreviations: 3', 3' untranslated region (UTR); 5', 5' UTR; CP, region encoding the carboxy-terminal propeptide domain; H, encodes the heparin-binding domain; N, encodes the NRP1/heparin-binding domain; NP, encodes the amino-terminal propeptide domain; SP, signal peptide; VHD, encodes the VEGF/PDGF homology domain. Information was compiled from published literature [14-16,22,23,59-61] and the Entrez Gene, RefSeq, GenBank and SwissProt databases.

sites for VEGFR2 are located at each pole of the homodimer and has identified key residues in each site involved in ligand-receptor interactions [28]. The crystal structure of PLGF₁₉₋₁₁₆, comprising the VHD, bound to the second immunoglobulin-like loop of VEGFR1 reveals that PLGF and VEGF-A bind to the same region of VEGFR1 in a very similar manner [29], despite only modest sequence conservation (50%) between the two ligands.

The binding of VEGFs to NRP1 appears to be mediated by two distinct domains. In VEGF-A, these correspond to the basic heparin-binding domain encoded by exon 6 and the NRP1/heparin-binding domain encoded by exons 7 and 8 [10]. The nuclear magnetic resonance (NMR) structure of the 55 carboxy-terminal residues of VEGF-A₁₆₅, containing the NRP1/heparin-binding domain encoded by exons 7 and 8, reveals this region to be composed of two subdomains,

Table 2**Isoforms of human VEGF-A**

Isoform	Size (amino acids)	Coding exons*	Features
VEGF-A ₁₂₁	121	1-5, 8	Secreted
VEGF-A ₁₄₅	145	1-6, 8	Binds NRP2 but not NRPI; secreted
VEGF-A ₁₆₅	165	1-5, 7, 8	The most abundant and biologically active isoform; secreted; binds NRPI and NRP2
VEGF-A _{165b}	165	1-5, 7, alternative exon 8	Secreted, endogenous inhibitory form of VEGF-A ₁₆₅
VEGF-A ₁₈₃	183	1-5, short exon 6, 7, 8	Sequestered in ECM but released by cleavage
VEGF-A ₁₈₉	189	1-8	Sequestered in ECM but released by cleavage
VEGF-A ₂₀₆	206	1-8 plus additional exon 6-encoded sequence	Sequestered in ECM but released by cleavage

*All isoforms contain exons 1-5 and 8, except VEGF-A_{165b}, which contains an alternative exon 8. Abbreviations: ECM, extracellular matrix; NRP, neuropilin.

each containing two disulphide bridges and a short two-stranded antiparallel β sheet, with the carboxy-terminal sub-domain additionally containing a short α helix [30]. VEGF-B₁₆₇ also binds NRP1 via an NRP1/heparin-binding domain [31], encoded by an alternative exon 6 and part of exon 7; this has strong similarity to the domain encoded by exons 7 and 8 in VEGF-A₁₆₅ (Figure 2). PLGF-2 binds NRP1 through its exon-6-encoded basic domain, which is similar to that encoded by exon 6 of VEGF-A. The VEGF-A₁₄₅ isoform, which lacks exon 7, binds NRP2, presumably through its exon-6-encoded domain [11].

Localization and function

Cellular localization, expression patterns and regulation

The VEGFs are all secreted proteins. VEGF-A₁₂₁ and VEGF-A₁₆₅ are secreted as covalently linked homodimeric proteins, whereas the larger isoforms, VEGF-A₁₈₉ and VEGF-A₂₀₆, although believed to be secreted, are not readily diffusible and may remain sequestered in the extracellular matrix (Table 2). VEGF bioavailability may be regulated by plasmin-mediated proteolysis in the carboxy-terminal domains of the larger matrix-bound VEGF isoforms, such as VEGF-A₁₈₉, to release more diffusible, biologically active species [32]. Human VEGF-A₁₆₅, the most abundant and biologically active form, is glycosylated at Asn74 and is typically expressed as a 46 kDa homodimer of 23 kDa subunits. VEGF-A₁₂₁ has biological activity in endothelial cells, but has lower potency than VEGF-A₁₆₅. The amino- and carboxy-terminal propeptide domains of VEGF-C and VEGF-D are proteolytically cleaved, possibly by plasmin, releasing the VHD during or after secretion to generate a fully processed mature form, which forms noncovalent homodimers of approximately 21 kDa that bind VEGFR2 with greatly increased affinity [26,27].

Most information on the localization and expression of VEGFs has been derived from studies on VEGF-A. During embryogenesis in the mouse, VEGF-A can be detected from

embryonic day 7 (E7) in the extra-embryonic and embryonic endoderm, and by E8.5 it is present at high levels in the trophoblast surrounding the embryo and in the embryonic myocardium, gut endoderm, embryonic mesenchyme and amniotic ectoderm. Later in development, VEGF-A is expressed in the mesenchyme and neuroectoderm of the head [33]. VEGF-A expression declines in most tissues in the weeks after birth and is relatively low in most adult organs, except in a few vascular beds, including those of the brain choroid plexus, lung alveoli, kidney glomeruli and heart. VEGF-A expression is also upregulated during specific physiological processes such as development of the endocrine corpus luteum in pregnancy, wound healing and tissue repair, and in diseases associated with neovascularization (formation of new blood vessels). VEGF-A is produced by diverse cell types, including aortic vascular smooth muscle cells, keratinocytes, macrophages and many tumor cells [34].

Oxygen tension is a key physiological regulator of *VEGF-A* gene expression [35]. The *VEGF-A* gene contains hypoxia-responsive enhancer elements (HREs) in its 5' and 3' UTRs [36,37], the 3' enhancer being similar to sequences within the HRE of the gene encoding the hormone erythropoietin. Transcriptional regulation of the *VEGF-A* gene by hypoxia is mediated by binding of the transcription factor HIF-1 (hypoxia-inducible transcription factor 1) to the HRE. HIF-1 is a heterodimer composed of HIF-1 α and HIF-1 β subunits, both of which are members of the basic helix-loop-helix-PAS family [38]. HIF-1 α is normally very labile, but under hypoxic conditions, it accumulates because proteasomal degradation is inhibited: at normal oxygen tension, proline hydroxylation targets HIF-1 α for proteasomal degradation, but is inhibited by hypoxia because of the requirement of the responsible prolyl hydroxylases for molecular dioxygen. The product of the Von Hippel-Lindau (VHL) tumor-suppressor gene is also required for proteasomal proteolysis: a genetic deficiency of this protein causes VHL disease, a condition characterized by retinal and cerebellar capillary hemangioblastomas (small, highly vascular tumors). In addition,

VEGF-A mRNA is stabilized under conditions of low oxygen tension as a result of binding of unidentified factors to its 3' UTR. *VEGF-A* gene expression is also upregulated by a variety of growth factors and cytokines, including PDGF-BB, TGF- β , basic fibroblast growth factor (FGF-2), interleukin-1 β and interleukin-6, some of which can act synergistically with hypoxia [1].

Function

All of the vertebrate VEGFs and their cognate receptors studied so far are able to regulate angiogenesis, and several have key biological roles in the formation of vascular structures either during development or in the adult. VEGFR function and signaling is reviewed extensively elsewhere [1,39,40] and is not discussed in this article. The pivotal role of VEGF-A in embryonic vascular development was demonstrated by the remarkable discovery that targeted inactivation of a single VEGF-A allele in mice caused a lethal impairment of angiogenesis, resulting in death between E11 and E12 [41,42]. The importance of larger VEGF-A isoforms, including VEGF-A₁₆₅, was confirmed by the finding that mice expressing only VEGF-A₁₂₀ - and lacking the longer heparin-binding isoforms - die within 2 weeks of birth owing to haemorrhage and ischemic cardiomyopathy (heart failure due to lack of blood supply to the heart muscle) [43]. A cardiomyocyte-specific *VEGF-A* gene knockout generated using *Cre-lox* technology results in reduced body weight and thin-walled, dilated, poorly vascularized hearts [1].

Studies involving inducible *VEGF-A* gene inactivation or administration of soluble (s) forms of the receptor Flt-1 to inhibit VEGF-A function have established that VEGF-A continues to be critically important during post-natal growth and organ development [1]. Inducible *Cre-lox*-mediated disruption of the *VEGF-A* gene in early post-natal life causes increased mortality, reduced body growth, and impaired organ development, particularly of the liver. Inhibition of VEGF-A by treatment of mice with sFlt-1 between 1 and 8 days after birth results in a more severe effect, characterized by growth arrest and lethality, but the effect of VEGF-A inhibition became less drastic if initiated at progressively later times in post-natal life. Inhibition of VEGF-A with sFlt-1 shows that VEGF-A-driven vascularization is also essential for endochondral bone formation and development of the corpus luteum during pregnancy [1].

VEGF-A-driven angiogenesis has a major role in the pathogenesis of diverse human diseases, including cancer, eye disorders and rheumatoid arthritis [44]. Recognition of the importance of VEGF-A for the development of several important classes of cancer recently culminated in the approval of Avastin, a humanized monoclonal antibody to VEGF-A, for the treatment of metastatic colorectal cancer [45]. There has also been great interest in using VEGF-A for the treatment of ischemic heart disease, where the aim is to promote blood-vessel formation and thereby provide a 'bio-

logical bypass' for diseased arteries. Despite abundant pre-clinical data suggesting that VEGF-A protein or gene therapy could be effective in treating ischemic heart disease, clinical trials have not so far yielded definitive evidence in support of this approach [1].

VEGF-A was originally identified as vascular permeability factor (VPF) as a result of its potent ability to increase vascular permeability, resulting in leakage of proteins and other molecules out of blood vessels [2,34]. The physiological significance of the permeability-increasing effect of VEGF-A remains unclear, but it is important in mediating some pathogenic consequences of VEGF-A overexpression in disease, an example being brain edema (swelling and build-up of fluid) following cerebral ischemia [1].

In addition to its major role in angiogenesis, VEGF-A probably has functions that are independent of both endothelial cells and blood-vessel formation. A growing body of evidence indicates that VEGF-A has neurotrophic and neuroprotective activities *in vitro* and *in vivo* [46,47]. It has also been implicated in amyotrophic lateral sclerosis (ALS), an incurable degenerative disorder of motor neurons. Reduced VEGF-A expression resulting from deletion of the HRE from the *VEGF-A* promoter predisposes mice to ALS-like motor-neuron degeneration, and mice can be protected against ALS by treatment with VEGF-A [48]. Furthermore, humans with particular *VEGF-A* promoter haplotypes have an increased risk of ALS associated with lower circulating levels of VEGF-A [49].

The VEGFR1-specific ligand, PLGF-1, appears to be weakly angiogenic when acting alone, but VEGF-A-PLGF heterodimers can bind to VEGFR2, are mitogenic for endothelial cells, and stimulate angiogenesis *in vivo* [50]. Though mice lacking PLGF are viable and develop normally, they have reduced angiogenesis in pathophysiological situations such as ischemia. PLGF-deficient mice also have delayed collateral artery growth following blockage of an artery, and PLGF stimulates collateral vessel growth. PLGF stimulates monocyte chemotaxis through VEGFR1, and there is increasing evidence that the biological effects of PLGF are mediated by mobilization of bone-marrow-derived haematopoietic progenitors.

A biological role for VEGF-B has not yet been clearly established. VEGF-B knockout mice are viable, healthy and fertile, but whereas Bellomo *et al.* [51] reported that VEGF-B-null mice have smaller hearts and recover more slowly from cardiac ischemia than wild-type littermates, Aase *et al.* [52] observed no effect of loss of VEGF-B on cardiac size or development and instead found a specific defect in atrial conduction in the adult. VEGF-B-deficient mice also have impaired development of pathophysiology when arthritis or hypoxic pulmonary hypertension are experimentally induced [53].

VEGF-C and its receptor, VEGFR₃ (Flt-4), are strongly implicated in the formation of the lymphatic endothelium (lymphangiogenesis). Transgenic mice overexpressing VEGF-C in keratinocytes of the skin epidermis develop enlarged lymphatic vessels, while mice overexpressing VEGF-A₁₆₄ in the same location show only blood-vessel hyperplasia [54]. VEGF-C also stimulates angiogenesis in the mouse cornea [55], however, and also in rabbit models of ischemia in the hindlimb. VEGF-D is mitogenic in endothelial cells and promotes angiogenesis *in vitro* and in several models of angiogenesis *in vivo* [56]. VEGF-D also stimulates lymphangiogenesis in mice when overexpressed in skin keratinocytes and tumors [57], and it induces the survival and migration of lymphatic endothelial cells.

The viral VEGF-Es encoded by different strains of the parpoxvirus *Orf* appear to be important for viral infection and its associated pathology. Viruses of the *Orf* genus cause a contagious pustular dermatitis in sheep and goats, which is transmissible to humans, and produces lesions characterized by extensive neovascularization, vascular dilation, and epidermal proliferation. VEGF-E_(NZ2) induces dermal vascularization and epidermal proliferation in sheep, and disruption of the VEGF-E_(NZ2) gene resulted in a marked decrease in the vascularization of viral lesions without impairing viral replication in the early stages of infection [58].

Drosophila PVFs and their receptor, PVR, have key roles in cell migration during two developmental processes [14-16]. Firstly, PVR is expressed by the border cells, a cluster of somatic follicle cells that migrate towards the oocyte during oogenesis; PVF1 is produced by oocytes and acts as a guidance cue for the PVR-expressing border cells during their migration [14]. Secondly, though devoid of endothelial cells or blood vessels, *Drosophila* does possess blood cells or hemocytes, and the PVF/PVR system is involved in the migration of these cells. PVR is expressed in the developing hemocytes during *Drosophila* embryogenesis, whereas PVF1, PVF2 and PVF3 are expressed along the hemocyte migratory route; inactivating mutations in either PVR or all three PVFs arrests hemocyte movement [16].

In *C. elegans*, which lacks a vascular system, the VEGFR-like VER proteins are localized to cells of neural origin, suggesting a role in neurogenesis [17]. The recently identified VEGF and VEGFR homologs in the jellyfish *P. carnea* [18] are expressed in tubular structures of the gastrovascular system and in the endoderm during development at the stage when undifferentiated cells migrate and differentiate into plate cells. In this process, the differentiating plate cells interact with matrix and smooth muscle cells, a process analogous to the interaction of endothelial and vascular smooth muscle cells in angiogenesis. As nematodes and jellyfish lack both a vascular circulatory system and blood cells, the discovery of VEGF and VEGFR-like molecules in these species suggests that these proteins performed primordial functions in tubu-

logenesis and neurogenesis at an early evolutionary stage and only later developed more specialized roles in hematopoiesis and vascular development in more complex organisms. The role of VEGFs and VEGFRs in cell migration appears to be fundamental to their biological functions in invertebrate and vertebrate species.

Frontiers

Although significant progress has been made towards elucidating the mechanisms mediating the angiogenic effects of VEGF-A, several formidable challenges lie ahead. The biological and signaling roles of the VEGF receptors, particularly VEGFR₁ and neuropilin-1, have not yet been fully defined. Another key goal is the identification of the mechanisms underlying the role of VEGF-A in endothelial cell differentiation and early vascular development. An emergent area of interest is the study of VEGF and VEGFR homologs in invertebrates. A better understanding of how VEGF ligand-receptor systems function in *Drosophila* and *C. elegans* will shed light on the ancestral function of this family of molecules and may also generate novel insights into their biological roles in vertebrates. Another major goal in the future will be to clarify the distinct biological functions of different members of the VEGF family.

A key area of ongoing research will be the role of VEGFs in human disease. As recent work on ALS demonstrates [48,49], it is likely that new insights into the importance of VEGFs for disease will continue to be generated. Consequently, the scope for using anti-VEGF approaches therapeutically will grow, and the challenge will be to develop more effective and economic ways to prevent VEGF-driven pathophysiological angiogenesis or to correct VEGF deficits. The future use of VEGF therapy for cardiovascular disease remains an enticing prospect but awaits confirmatory data from clinical studies.

Acknowledgements

I.Z. is supported by the British Heart Foundation.

References

- Ferrara N, Gerber HP, LeCouter J: **The biology of VEGF and its receptors.** *Nat Med* 2003, **9**:669-676.
A concise review of the role of VEGF-A and its receptors in biology and disease.
- Senger DR, Galli SJ, Dvorak AM, Perruzzi CA, Harvey VS, Dvorak HF: **Tumor cells secrete a vascular permeability factor that promotes accumulation of ascites fluid.** *Science* 1983, **219**:983-985.
The initial discovery of a secreted VPF with the characteristics of VEGF-A.
- Leung DW, Cachianes G, Kuang WJ, Goeddel DV, Ferrara N: **Vascular endothelial growth factor is a secreted angiogenic mitogen.** *Science* 1989, **246**:1306-1309.
This and [4] are the first reports of the cDNA cloning of VEGF-A.
- Keck PJ, Hauser SD, Krivi G, Sanzo K, Warren T, Feder J, Connolly DT: **Vascular permeability factor, an endothelial cell mitogen related to PDGF.** *Science* 1989, **246**:1309-1312.
See [3].

5. Li X, Eriksson U: **Novel VEGF family members: VEGF-B, VEGF-C and VEGF-D.** *Int J Biochem Cell Biol* 2001, **33**:421-426.
A review of the mammalian VEGF family.
6. Shibuya M: **Vascular endothelial growth factor receptor-2: its unique signalling and specific ligand, VEGF-E.** *Cancer Sci* 2003, **94**:751-756.
A review of VEGF-E.
7. Shalaby F, Rossant J, Yamaguchi TP, Gertsenstein M, Wu XF, Breitman ML, Schuh AC: **Failure of blood-island formation and vasculogenesis in Flk-1 deficient mice.** *Nature* 1995, **376**:62-66.
Loss of VEGFR2 prevents endothelial cell progenitor formation and early vascular development in mice.
8. Fong GH, Rossant J, Gertsenstein M, Breitman ML: **Role of the Flt-1 receptor tyrosine kinase in regulating the assembly of vascular endothelium.** *Nature* 1995, **376**:66-70.
VEGFR1 is essential for vascular development, but VEGFR1-deficient mice have a phenotype distinct from that of VEGFR2 knockouts.
9. Dumont DJ, Jussila L, Taipale J, Lymboussaki A, Mustonen T, Pajusola K, Breitman M, Alitalo K: **Cardiovascular failure in mouse embryos deficient in VEGF receptor-3.** *Science* 1998, **282**:946-949.
VEGFR3 is essential for cardiovascular development.
10. Soker S, Takashima S, Miao HQ, Neufeld G, Klagsbrun M: **Neuropilin-1 is expressed by endothelial and tumor cells as an isoform-specific receptor for vascular endothelial growth factor.** *Cell* 1998, **92**:735-745.
Identification of NRP1 as a non-tyrosine kinase receptor for VEGF-A₁₆₅.
11. Gluzman-Poltorak Z, Cohen T, Herzog Y, Neufeld G: **Neuropilin-2 and neuropilin-1 are receptors for the 165-amino acid form of vascular endothelial growth factor (VEGF) and of placenta growth factor-2, but only neuropilin-2 functions as a receptor for the 145-amino acid form of VEGF.** *J Biol Chem* 2000, **275**:18040-18045.
This study shows that the VEGF-A₁₄₅ isoform selectively recognizes NRP2.
12. Vitt UA, Hsu SY, Hsueh AJW: **Evolution and classification of cystine knot-containing hormones and related extracellular signaling molecules.** *Mol Endocrinol* 2001, **15**:681-694.
General review of the cystine-knot family of extracellular proteins.
13. Gong B, Liang D, Chew TG, Ge R: **Characterization of the zebrafish vascular endothelial growth factor A gene: comparison with vegf-A genes in mammals and Fugu.** *Biochim Biophys Acta* 2004, **1676**:33-40.
Demonstrates that human and teleost VEGF-A genes are highly conserved and have a similar organization.
14. Duchek P, Somogyi K, Jekely G, Beccari S, Rorth P: **Guidance of cell migration by the Drosophila PDGF/VEGF receptor.** *Cell* 2001, **107**:17-26.
The first demonstration of a biological role for invertebrate VEGF/VEGFR homologs. The paper reports that *Drosophila* members of the VEGF and VEGFR families play an essential role in cell migration during oogenesis.
15. Heino TI, Karpanen T, Wahlstrom G, Pulkkinen M, Eriksson U, Alitalo K, Roos C: **The Drosophila VEGF receptor homolog is expressed in hemocytes.** *Mech Dev* 2001, **109**:69-77.
Identification, characterization and expression patterns of the VEGF-like *Drosophila* receptor PVR and its ligands, PVF1-PVF3.
16. Cho NK, Keyes L, Johnson E, Heller J, Ryner L, Karim F, Krasnow MA: **Developmental control of blood cell migration by the Drosophila VEGF pathway.** *Cell* 2002, **108**:865-876.
This study demonstrates a key role for VEGF and VEGFR homologs in migration of blood cells in *Drosophila* development.
17. Popovici C, Isnardon D, Birnbaum D, Roubin R: **Caenorhabditis elegans receptors related to mammalian vascular endothelial growth factor receptors are expressed in neural cells.** *Neurosci Lett* 2002, **329**:116-120.
The first identification of VEGFR-related molecules in the nematode worm, a species lacking both a vascular system and blood cells.
18. Seipel K, Eberhardt M, Muller P, Pescia E, Yanze N, Schmid V: **Homologs of vascular endothelial growth factor and receptor, VEGF and VEGFR, in the jellyfish Podocoryne carnea.** *Dev Dyn* 2004, **231**:303-312.
The identification of VEGF and VEGFR homologues in Cnidaria, the most basic phylum of the animal kingdom to have tissue organization and a nervous system.
19. Maglione D, Guerriero V, Viglietto G, Delli-Bovi P, Persico MG: **Isolation of a human placenta cDNA coding for a protein related to the vascular permeability factor.** *Proc Natl Acad Sci USA* 1991, **88**:9267-9271.
The initial identification of PLGF, a second member of the VEGF family.
20. Robinson CJ, Stringer SE: **The splice variants of vascular endothelial growth factor (VEGF) and their receptors.** *J Cell Sci* 2001, **114**:853-865.
A review of the splice variants of VEGF-A and their functions.
21. Bates DO, Cui TG, Doughty JM, Winkler M, Sugiono M, Shields JD, Peat D, Gillatt D, Harper SJ: **VEGF165b, an inhibitory splice variant of vascular endothelial growth factor, is down-regulated in renal cell carcinoma.** *Cancer Res* 2002, **62**:4123-4131.
The discovery of a novel inhibitory VEGF-A₁₆₅ variant resulting from an alternative exon 8.
22. Maglione D, Guerriero V, Viglietto G, Ferraro MG, Aprelikova O, Alitalo K, Del Vecchio S, Lei KJ, Chou JY, Persico MG: **Two alternative mRNAs coding for the angiogenic factor, placenta growth factor (PlGF), are transcribed from a single gene of chromosome 14.** *Oncogene* 1993, **8**:925-931.
Identification of PLGF-2, a splice variant containing an exon-6-encoded heparin-binding domain absent from PLGF-1.
23. Olofsson B, Pajusola K, von Euler G, Chilod D, Alitalo K, Eriksson U: **Genomic organisation of the mouse and human genes for vascular endothelial growth factor B (VEGF-B) and characterization of a second splice isoform.** *J Biol Chem* 1996, **271**:19310-19317.
Reports the structures of the human and mouse VEGF-B genes and the identification of the VEGF-B₁₈₆ splice variant.
24. Olofsson B, Pajusola K, Kaipainen A, von Euler G, Joukov V, Saksela O, Orpana A, Pettersson RF, Alitalo K, Eriksson U: **Vascular endothelial growth factor B, a novel growth factor for endothelial cells.** *Proc Natl Acad Sci USA* 1996, **93**:2576-2581.
The first identification of the VEGFR1 ligand, VEGF-B.
25. Baldwin ME, Roufail S, Halford MM, Alitalo K, Stacker SA, Achen MG: **Multiple forms of mouse vascular endothelial growth factor-D are generated by RNA splicing and proteolysis.** *J Biol Chem* 2001, **276**:44307-44314.
Alternative splicing and proteolysis generates multiple isoforms of mouse VEGF-D.
26. Joukov V, Sorsa T, Kumar V, Jeltsch M, Claesson-Welsh L, Cao Y, Saksela O, Kalkkinen N, Alitalo K: **Proteolytic processing regulates receptor specificity and activity of VEGF-C.** *EMBO J* 1997, **16**:3898-3911.
This paper and [27] demonstrate that VEGF-C and VEGF-D undergo proteolytic processing to generate mature forms with increased affinity for VEGFR2.
27. Stacker SA, Stenvers K, Caesar C, Vitali A, Domagala T, Nice E, Roufail S, Simpson RJ, Moritz R, Karpanen T, et al.: **Biosynthesis of vascular endothelial growth factor-D involves proteolytic processing which generates non-covalent homodimers.** *J Biol Chem* 1999, **274**:32127-32136.
See [26].
28. Muller YA, Li B, Christinger HW, Wells JA, Cunningham BC, de Vos AM: **Vascular endothelial growth factor: crystal structure and functional mapping of the kinase domain receptor binding site.** *Proc Natl Acad Sci USA* 1997, **94**:7192-7197.
The first report of the crystal structure of the VEGF receptor-binding domain, showing that it has a structure similar to that of PDGF.
29. Christinger HW, Fuh G, de Vos AM, Wiesmann C: **The crystal structure of placental growth factor in complex with domain 2 of vascular endothelial growth factor receptor-1.** *J Biol Chem* 2004, **279**:10382-10388.
The crystal structure of the PLGF receptor-binding domain shows it is very similar to that of VEGF-A.
30. Fairbrother WJ, Champe MA, Christinger HW, Keyt BA, Starovasnik MA: **Solution structure of the heparin-binding domain of vascular endothelial growth factor.** *Structure* 1998, **6**:637-648.
The NMR structure of the NRP1/heparin-binding domain of VEGF-A.
31. Mäkinen T, Olofsson B, Karpanen T, Hellman U, Soker S, Klagsbrun M, Eriksson U, Alitalo K: **Differential binding of vascular endothelial growth factor B splice and proteolytic isoforms to neuropilin-1.** *J Biol Chem* 1999, **274**:21217-21222.
Demonstrates that VEGF-B₁₆₇ binds NRP-1 through an exon-6-encoded heparin-binding domain.
32. Park JE, Keller GA, Ferrara N: **The vascular endothelial growth factor (VEGF) isoforms: differential deposition into the subepithelial extracellular matrix and bioactivity of extracellular matrix-bound VEGF.** *Mol Biol Cell* 1993, **4**:1317-1326.

- Demonstration that plasmin-mediated proteolysis of VEGF-A₁₈₉ bound to the extracellular matrix releases soluble and bioactive VEGF-A.
33. Dumont DJ, Fong GH, Puri MC, Gradwohl G, Alitalo K, Breitman ML: **Vascularization of the mouse embryo: a study of flk-1, tek, tie, and vascular endothelial growth factor expression during development.** *Dev Dyn* 1995, **203**:80-92.
The localization of VEGF-A and VEGFR2 during mouse embryogenesis.
 34. Dvorak HF, Brown LF, Detmar M, Dvorak AM: **Vascular permeability factor/vascular endothelial growth factor, microvascular hyperpermeability, and angiogenesis.** *Am J Pathol* 1995, **146**:1029-1039.
A review of VEGF-A function.
 35. Shweiki D, Itin A, Soffer D, Keshet E: **Vascular endothelial growth factor induced by hypoxia may mediate hypoxia-initiated angiogenesis.** *Nature* 1992, **359**:843-845.
A report showing that VEGF-A expression is induced by hypoxia.
 36. Minchenko A, Salceda S, Bauer T, Caro J: **Hypoxia regulatory elements of the human vascular endothelial growth factor gene.** *Cell Mol Biol Res* 1994, **40**:35-39.
The identification of hypoxia regulatory elements in the 5' and 3' flanking regions of the VEGF-A gene.
 37. Liu Y, Cox SR, Morita T, Kourembanas S: **Hypoxia regulates vascular endothelial growth factor gene expression in endothelial cells: identification of a 5' enhancer.** *Circ Res* 1995, **77**:638-643.
Identification of the minimal 5' enhancer sequence in the VEGF-A promoter required for hypoxia-regulated transcription.
 38. Huang LE, Bunn HF: **Hypoxia-inducible factor and its biomedical relevance.** *J Biol Chem* 2003, **278**:19575-19578.
A review of the transcription factors mediating hypoxia-inducible gene expression.
 39. Neufeld G, Cohen T, Gengrinovitch S, Poltorak Z: **Vascular endothelial growth factor (VEGF) and its receptors.** *FASEB J* 1999, **13**:9-22.
A review of VEGF receptors and intracellular signaling.
 40. Zachary I: **VEGF signalling: integration and multi-tasking in endothelial cell biology.** *Biochem Soc Trans* 2003, **31**:1171-1177.
A review of VEGF receptor signaling.
 41. Carmeliet P, Ferreira V, Breier G, Pollefeys S, Kieckens L, Gertszenstein M, Fahrigr M, Vandenhoeck A, Harpal K, Eberhardt C, et al.: **Abnormal blood vessel development and lethality in embryos lacking a single VEGF allele.** *Nature* 1996, **380**:435-439.
This paper and [42] demonstrate that loss of a single VEGF-A allele causes embryonic lethality.
 42. Ferrara N, Carver-Moore K, Chen H, Dowd M, Lu L, O'Shea KS, Powell-Braxton L, Hillan KJ, Moore MW: **Heterozygous embryonic lethality induced by targeted inactivation of the VEGF gene.** *Nature* 1996, **380**:439-442.
See [41].
 43. Carmeliet P, Ng YS, Nuyens D, Theilmeier G, Brusselmans K, Cornelissen I, Ehler E, Kakkar VV, Stalmans I, Mattot V, et al.: **Impaired myocardial angiogenesis and ischemic cardiomyopathy in mice lacking the vascular endothelial growth factor isoforms VEGF164 and VEGF188.** *Nat Med* 1999, **5**:495-502.
The VEGF-A₁₆₄ isoform is shown to be essential for normal vascular development in the mouse.
 44. Carmeliet P, Jain RK: **Angiogenesis in cancer and other diseases.** *Nature* 2000, **407**:249-257.
A review of the role of angiogenesis and angiogenic factors in disease.
 45. Ferrara N, Hillan KJ, Gerber HP, Novotny W: **Discovery and development of bevacizumab, an anti-VEGF antibody for treating cancer.** *Nat Rev Drug Discov* 2004, **3**:391-400.
Inhibition of VEGF-A with humanized anti-VEGF-A antibody is effective in treating human cancer.
 46. Sondell M, Sundler F, Kanje M: **Vascular endothelial growth factor is a neurotrophic factor which stimulates axonal outgrowth through the flk-1 receptor.** *Eur J Neurosci* 2000, **12**:4243-4254.
This report shows that VEGF-A acts as a neurotrophic factor.
 47. Storkebaum E, Lambrechts D, Carmeliet P: **VEGF: once regarded as a specific angiogenic factor, now implicated in neuroprotection.** *Bioessays* 2004, **26**:943-954.
A review of the role of VEGF-A in neuroprotection.
 48. Oosthuysen B, Moons L, Storkebaum E, Beck H, Nuyens D, Brusselmans K, Van Dorpe J, Hellings P, Gorselink M, Heymans S, et al.: **Deletion of the hypoxia-response element in the vascular endothelial growth factor promoter causes motor neuron degeneration.** *Nat Genet* 2001, **28**:131-138.
Deletion of the HRE in the VEGF-A promoter reduces hypoxia-driven expression in the spinal cord and causes adult-onset motor neuron degeneration in mice, reminiscent of ALS.
 49. Lambrechts D, Storkebaum E, Morimoto M, Del-Favero J, Desmet F, Marklund SL, Wyns S, Thijs V, Andersson J, van Marion I, et al.: **VEGF is a modifier of amyotrophic lateral sclerosis in mice and humans and protects motoneurons against ischemic death.** *Nat Genet* 2003, **34**:383-394.
Humans homozygous for specific haplotypes of the VEGF-A promoter region have reduced circulating levels of VEGF-A and greater risk of ALS.
 50. Autiero M, Lutun A, Tjwa M, Carmeliet P: **Placental growth factor and its receptor, vascular endothelial growth factor receptor-1: novel targets for stimulation of ischemic tissue revascularization and inhibition of angiogenic and inflammatory disorders.** *J Thromb Haemost* 2003, **1**:1356-1370.
A review of the role of PLGF in pathophysiological angiogenesis.
 51. Bellomo D, Headrick JP, Silins GU, Paterson CA, Thomas PS, Gartside M, Mould A, Cahill MM, Tonks ID, Grimmond SM, et al.: **Mice lacking the vascular endothelial growth factor-B gene (Vegfb) have smaller hearts, dysfunctional coronary vasculature, and impaired recovery from cardiac ischemia.** *Circ Res* 2000, **86**:E29-E35.
VEGF-B-deficient mice have defective hearts.
 52. Aase K, von Euler G, Li X, Ponten A, Thoren P, Cao R, Cao Y, Olofsson B, Gebre-Medhin S, Pekny M, et al.: **Vascular endothelial growth factor-B-deficient mice display an atrial conduction defect.** *Circulation* 2001, **104**:358-364.
VEGF-B-deficient mice have hearts of a normal size but with a specific defect in atrial conduction; this contrasts with the results shown in [51].
 53. Mould AW, Tonks ID, Cahill MM, Pettit AR, Thomas R, Hayward NK, Kay GF: **Vegfb gene knockout mice display reduced pathology and synovial angiogenesis in both antigen-induced and collagen-induced models of arthritis.** *Arthritis Rheum* 2003, **48**:2660-2669.
VEGF-B is implicated in pathophysiological angiogenesis in animal models of arthritis.
 54. Jeltsch M, Kaipainen A, Joukov V, Meng X, Lakso M, Rauvala H, Swartz M, Fukumura D, Jain RK, Alitalo K: **Hyperplasia of lymphatic vessels in VEGF-C transgenic mice.** *Science* 1997, **276**:1423-1425.
This paper indicates a role for VEGF-C in formation of the lymphatic vasculature.
 55. Cao Y, Linden P, Farnebo J, Cao R, Eriksson A, Kumar V, Qi JH, Claesson-Welsh L, Alitalo K: **Vascular endothelial growth factor C induces angiogenesis in vivo.** *Proc Natl Acad Sci USA* 1998, **95**:14389-14394.
VEGF-C is angiogenic.
 56. Marconcini L, Marchio S, Morbidelli L, Cartocci E, Albin A, Ziche M, Bussolino F, Oliviero S: **c-fos-induced growth factor/vascular endothelial growth factor D induces angiogenesis in vivo and in vitro.** *Proc Natl Acad Sci USA* 1999, **96**:9671-9676.
VEGF-D is angiogenic.
 57. Stacker SA, Caesar C, Baldwin ME, Thornton GE, Williams RA, Prevo R, Jackson DG, Nishikawa S, Kubo H, Achen MG: **VEGF-D promotes the metastatic spread of tumor cells via the lymphatics.** *Nat Med* 2001, **7**:186-191.
VEGF-D-stimulated lymphangiogenesis mediates tumor metastasis.
 58. Savory LJ, Stacker SA, Fleming SB, Niven BE, Mercer AA: **Viral vascular endothelial growth factor plays a critical role in orf virus infection.** *J Virol* 2000, **74**:10699-10706.
Disruption of the VEGF-E gene results in reduced vascularization of lesions produced by Orf virus infection.
 59. Tischer E, Mitchell R, Hartman T, Silva M, Gospodarowicz D, Fiddes JC, Abraham JA: **The human gene for vascular endothelial growth factor. Multiple protein forms are encoded through alternative exon splicing.** *J Biol Chem* 1991, **266**:11947-11954.
The first report of the gene organization and splicing of human VEGF-A.
 60. Chilov D, Kukk E, Taira S, Jeltsch M, Kaukonen J, Palotie A, Joukov V, Alitalo K: **Genomic organization of human and mouse genes for vascular endothelial growth factor C.** *J Biol Chem* 1997, **272**:25176-25183.
The organization of the human and mouse VEGF-C genes.
 61. Rocchigiani M, Lestingi M, Luddi A, Orlandini M, Franco B, Rossi E, Bal-labio A, Zuffardi O, Oliviero S: **Human FIGF: Cloning, gene structure, and mapping to chromosome Xp22.1 between the PIGA and the GRPR genes.** *Genomics* 1998, **47**:207-216.
Reports the organization of the human VEGF-D gene.