

## Development in fission track-thermal ionization mass spectrometry for particle analysis of safeguards environmental samples

C. G. Lee,<sup>1\*</sup> K. Iguchi,<sup>1</sup> J. Inagawa,<sup>1</sup> D. Suzuki,<sup>1</sup> F. Esaka,<sup>1</sup> M. Magara,<sup>1</sup> S. Sakurai,<sup>1</sup>  
K. Watanabe,<sup>2</sup> S. Usuda<sup>1</sup>

<sup>1</sup> Nuclear Science and Engineering Directorate, Japan Atomic Energy Agency (JAEA), Tokai-mura, Naka-gun, Ibaraki 319-1195, Japan

<sup>2</sup> Planning and Coordination Office, Japan Atomic Energy Agency (JAEA), Tokai-mura, Naka-gun, Ibaraki 319-1195, Japan

appeared in the *Journal of Radioanalytical and Nuclear Chemistry*, Vol. 272, No. 2 (2005) 299–302.

On page 300, Fig. 1 should read:

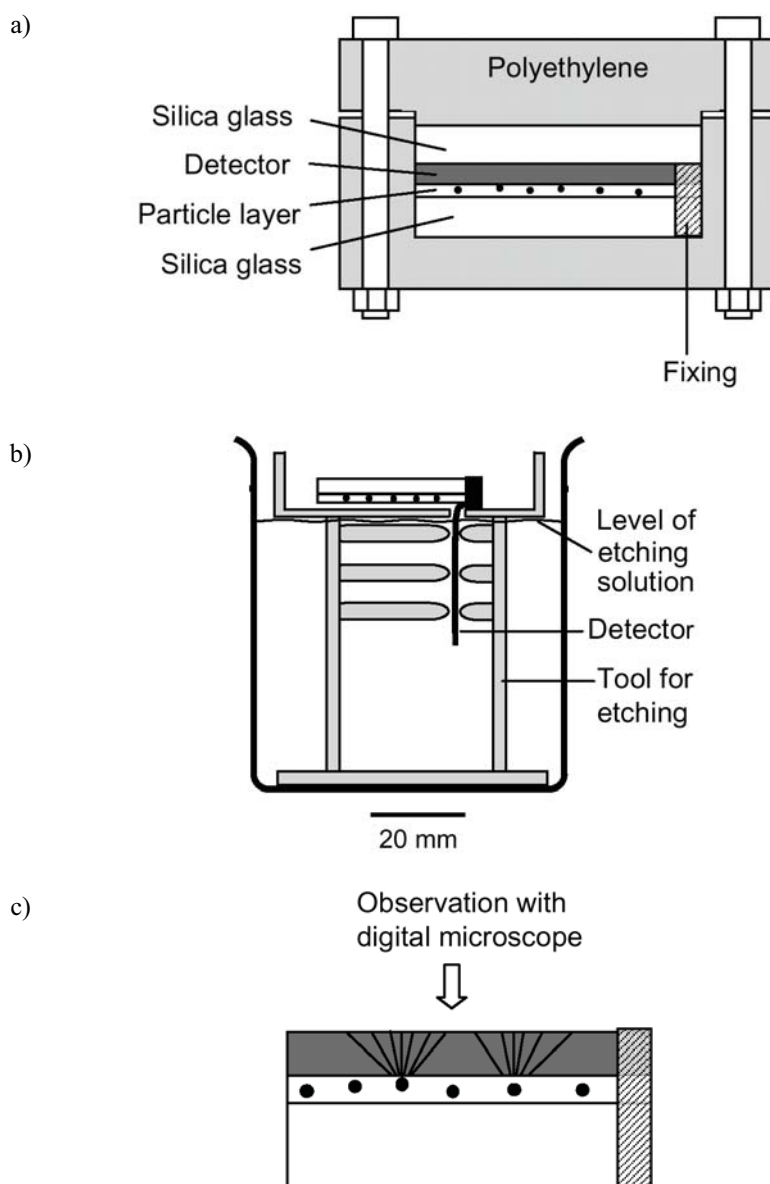


Fig. 1. Schematic diagram of the particle layer, detector, and silica glasses inside an irradiation capsule (a), schematic side view of the tool made of silica glass for exclusively etching a detector (b), and the method of identification of the particle containing fissile materials from fission tracks (c)