

Raffaella Ida Rumiati · Alessia Tessari

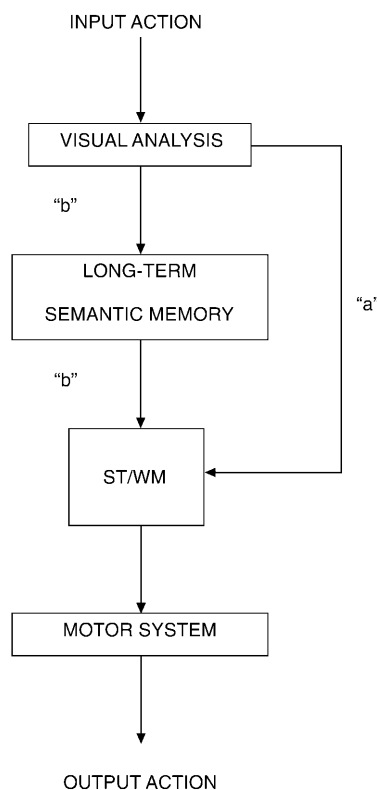
## Imitation of novel and well-known actions

### The role of short-term memory

Published online: 23 February 2002  
© Springer-Verlag 2002

Exp Brain Res (2002) 142:425–433

In Fig. 1 the letters “*a*” and “*b*” should be reversed. The correct figure is shown below:



The online version of the original article can be found at <http://dx.doi.org/10.1007/s00221-001-0956-x>

R.I. Rumiati (✉) · A. Tessari  
Programme in Neuroscience,  
Scuola Internazionale Superiore di Studi Avanzati,  
via Beirut 2–4, 34135 Trieste, Italy  
e-mail: rumiati@sissa.it  
Tel.: +39-040-3787607, Fax: +39-040-3787615

**Fig. 1** The model represents the two processes involved in the imitation of meaningful (MF) and meaningless (ML) actions. After the visual analysis, if the action to be imitated is ML, the process *a* is selected, whereas if imitation involves a MF action, both the semantic and nonsemantic processes may be selected (route *b* and route *a*, respectively). (*ST/WM* short-term/working memory)