


ORIGINAL ARTICLE

Open Access



# Structured report data can be used to develop deep learning algorithms: a proof of concept in ankle radiographs

Daniel Pinto dos Santos<sup>1\*</sup> , Sebastian Brodehl<sup>2</sup>, Bettina Baeßler<sup>1</sup>, Gordon Arnhold<sup>3</sup>, Thomas Dratsch<sup>1</sup>, Seung-Hun Chon<sup>4</sup>, Peter Mildenerger<sup>3</sup> and Florian Jungmann<sup>3</sup>

## Abstract

**Background:** Data used for training of deep learning networks usually needs large amounts of accurate labels. These labels are usually extracted from reports using natural language processing or by time-consuming manual review. The aim of this study was therefore to develop and evaluate a workflow for using data from structured reports as labels to be used in a deep learning application.

**Materials and methods:** We included all plain anteriorposterior radiographs of the ankle for which structured reports were available. A workflow was designed and implemented where a script was used to automatically retrieve, convert, and anonymize the respective radiographs of cases where fractures were either present or absent from the institution's picture archiving and communication system (PACS). These images were then used to retrain a pretrained deep convolutional neural network. Finally, performance was evaluated on a set of previously unseen radiographs.

**Results:** Once implemented and configured, completion of the whole workflow took under 1 h. A total of 157 structured reports were retrieved from the reporting platform. For all structured reports, corresponding radiographs were successfully retrieved from the PACS and fed into the training process. On an unseen validation subset, the model showed a satisfactory performance with an area under the curve of 0.850 (95% CI 0.634–1.000) for detection of fractures.

**Conclusion:** We demonstrate that data obtained from structured reports written in clinical routine can be used to successfully train deep learning algorithms. This highlights the potential role of structured reporting for the future of radiology, especially in the context of deep learning.

**Keywords:** Structured reporting, Workflow, Machine learning, Radiography, Ankle fractures

## Key points

- Data from structured reports can greatly facilitate development of deep learning algorithms.
- Fully automated workflows for training of deep learning networks can easily be implemented.
- A proof of concept for the detection of ankle fractures is presented and achieves satisfactory performance.

## Background

Recently, the application of computer vision techniques and especially deep learning to evaluate plain radiographs or computed tomography exams has been extensively discussed in radiology [1–3]. Consequently, in the last few years, numerous groups have published papers describing promising applications of deep learning algorithms in radiology.

Various studies were reported where the authors developed and trained deep neural networks to perform automated diagnosis or triage of plain radiographs. While some of those relied on manual review and labeling of the images to establish a valid ground truth (e.g., detection for

\* Correspondence: [daniel.pinto-dos-santos@uk-koeln.de](mailto:daniel.pinto-dos-santos@uk-koeln.de)

<sup>1</sup>Department of Radiology, University Hospital of Cologne, Kerpener Str. 62, 50937 Cologne, Germany

Full list of author information is available at the end of the article

of humerus fractures [4], hip fractures [5], and wrist fractures [6]), other relied on automatically extracting image labels from the written radiological reports associated with the imaging study [7–9]. As radiological reports are usually written in a prose-like, non-standardized form, techniques such as natural language processing (NLP) are needed, to analyze the reports and extract meaningful labels to be used in further training of the neural network. Compared to manual review labeling, the latter approach is much more efficient and scalable, thus enabling larger datasets to be compiled for the subsequent training of the neural networks. However, as was shown, e.g., in the case of the CheXNet paper [10], this also has the potential to introduce inaccuracies and uncertainties which are inherent to variations in NLP [11].

With more and more advances in computer vision and deep learning technologies and algorithms, it seems that one of the only remaining challenges is the availability of accurately labeled datasets. It would, therefore, be desirable if data from clinical routine could be used to provide reliable labels without the need for potentially error-prone NLP or time-consuming manual labeling by human expert readers.

One possibility to make data from clinical routine more readily usable could be structured reporting (SR) which has long been proposed by various radiological societies [12–14]. Structured reporting aims at standardizing report content and language, thus making the report more machine readable. Some studies have demonstrated the usage of data extracted from structured reports for calculation of various statistics [15, 16].

This approach could also be useful in the context of training deep learning algorithms. Therefore, the aim of this study was to propose an example workflow where data from structured reports is used to extract accurately labeled training data from an institution's picture archiving and communication system (PACS). As a proof of concept, we show this by using this data to retrain a pre-trained convolutional neural network (Inception V3) for the detection of fractures in ankle radiographs.

## Materials and methods

Starting in late 2017, structured reporting was introduced at our tertiary care institution. Various IHE MRRT-compliant report templates were created and installed in a dedicated open-source reporting platform [17, 18]. The reporting platform had previously been developed at our institution using only standard web-technologies and could be accessed from the clinical workstations by the reporting radiologists. To facilitate its usage in clinical routine, it was fully integrated in the radiologists' workflow and connected to the institutions radiology information system (RIS) and PACS. All radiologists received in-person training on how to use the reporting platform and the templates and could contact

the developer any time if problems occurred. At the time of reporting, the radiologists were able to either use the standard RIS reporting engine, including speech recognition, or start reporting in the structured reporting platform. Usage of the reporting platform was neither enforced nor incentivized. To ensure the correct patient and study context, the RIS constructs a URL-call that passes the relevant patient and study information to the reporting platform. Upon completion of the radiological report in the platform data, the structured reports were stored in the platform's database as discrete information thus allowing for easily machine-readable reports.

## Use case and patient selection

During the initial phase of set up of the structured reporting platform, various report templates had been created. While most templates focused on computed tomography or magnetic resonance imaging, some templates pertaining to conventional radiography were also developed. As basis for this proof of concept, we chose to focus on a rather simple use case using only plain radiographs. For the purpose of this study, we chose to use data from cases where plain radiographs of the ankle were obtained in the context of trauma (fracture/no fracture) and for which structured reports had been written using the above-mentioned platform (Fig. 1).

All reports were written between August 2017 and September 2018. As radiologists were free to decide whether to use the structured reporting template or to write a conventional narrative report, the studies included were not consecutive.

## Structured reporting and image retrieval

The "cx.ankle.trauma" template contained four drop-down menus where the reporting radiologist could select whether or not fracture, joint effusion, soft tissue swelling, or other relevant findings were either present or absent (Fig. 2). Apart from that, the template allowed for free-text entry of the corresponding finding. The source-code of the template can be found in Additional file 1.

Upon completion of a report, the corresponding report content was stored in the reporting platform's dedicated database where each report field corresponds to a specific column in the pertinent table. Consequently accessing the column "select\_fracture" of the "cx.ankle.trauma" table returned either "yes" if a fracture was present or "no" if absent. Thus, we created a combination of MySQL queries that would retrieve the relevant information from the corresponding database tables. To facilitate manipulation of these data, we designed a workflow in Rapidminer 9.0 (RapidMiner, Cambridge, MA, USA) that allowed for more intuitive visualization of the data manipulation (Fig. 3). In the first step, all relevant patient and study data was queried, while also the reports created with the



**Fig. 1** Examples of radiographs used in the study (a no fracture, b fracture present)

**Clinical information**

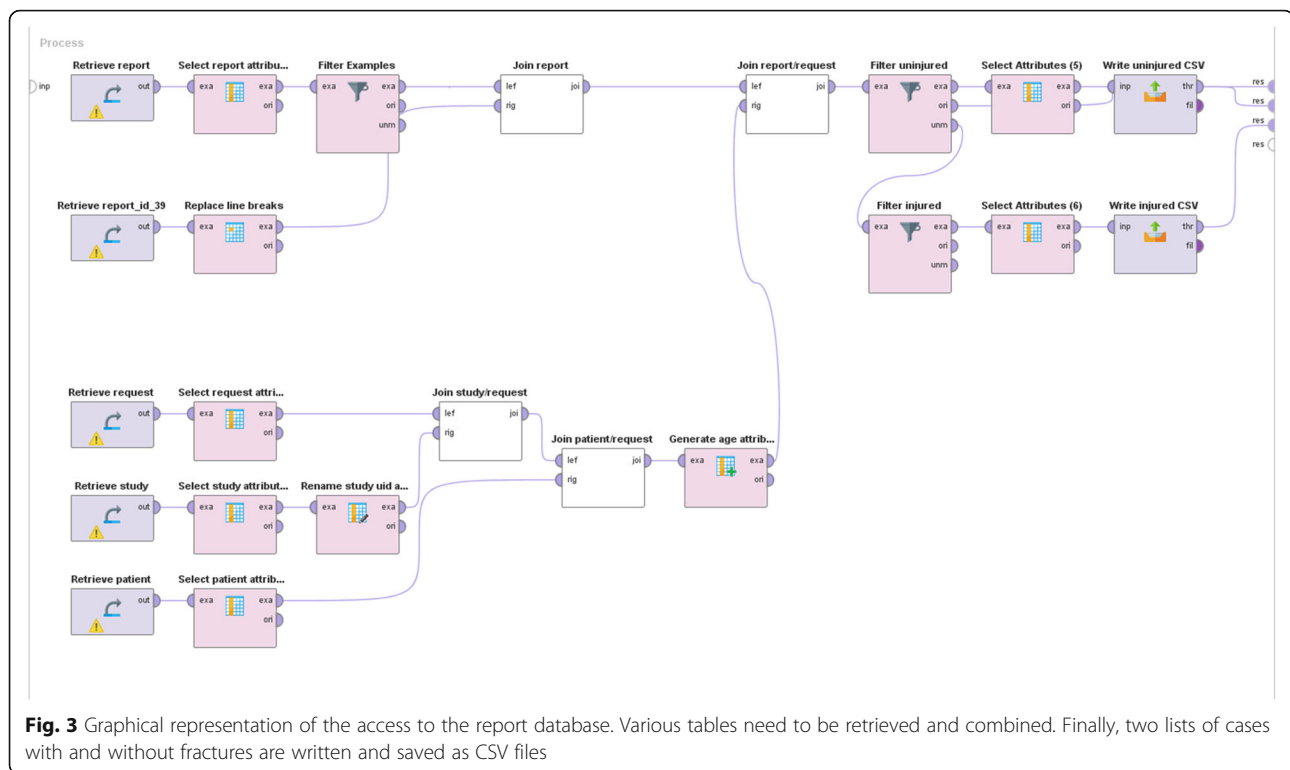
**Clinical question**

**Findings**

Fracture	<input type="text" value="yes"/>	remarks <input type="text"/>
Soft tissue swelling	<input type="text" value="-"/>	remarks <input type="text"/>
Joint effusion	<input type="text" value="-"/>	remarks <input type="text"/>
Other relevant findings	<input type="text" value="-"/>	remarks <input type="text"/>

**Impression**

**Fig. 2** Screenshot of the template used for structured reporting of ankle radiographs



“cx.ankle.trauma” template were retrieved. Through joining and filtering operations, it was possible to first build a complete table where all reports were associated with the relevant patient and study information (local patient ID and DICOM Study Instance UID). Subsequently, this table was split into separate lists for reports with and without reported fractures. These lists were then exported as comma separated value (CSV) files so that in a second step a small Python (Python Software Foundation. Available at <http://www.python.org>) script could be used to query and retrieve the corresponding images from the institution’s PACS and export them as JPEG files into two separate folders (one folder for images with fractures and one for images without fractures).

### Convolutional neural network retraining workflow

The main focus of this study was not on the training of a convolutional neural network (CNN) but rather on the workflow of using label data from IHE-MRRT compliant report templates. We therefore chose to limit this part of the study to a simple retraining of a preexisting CNN on a binary classification task.

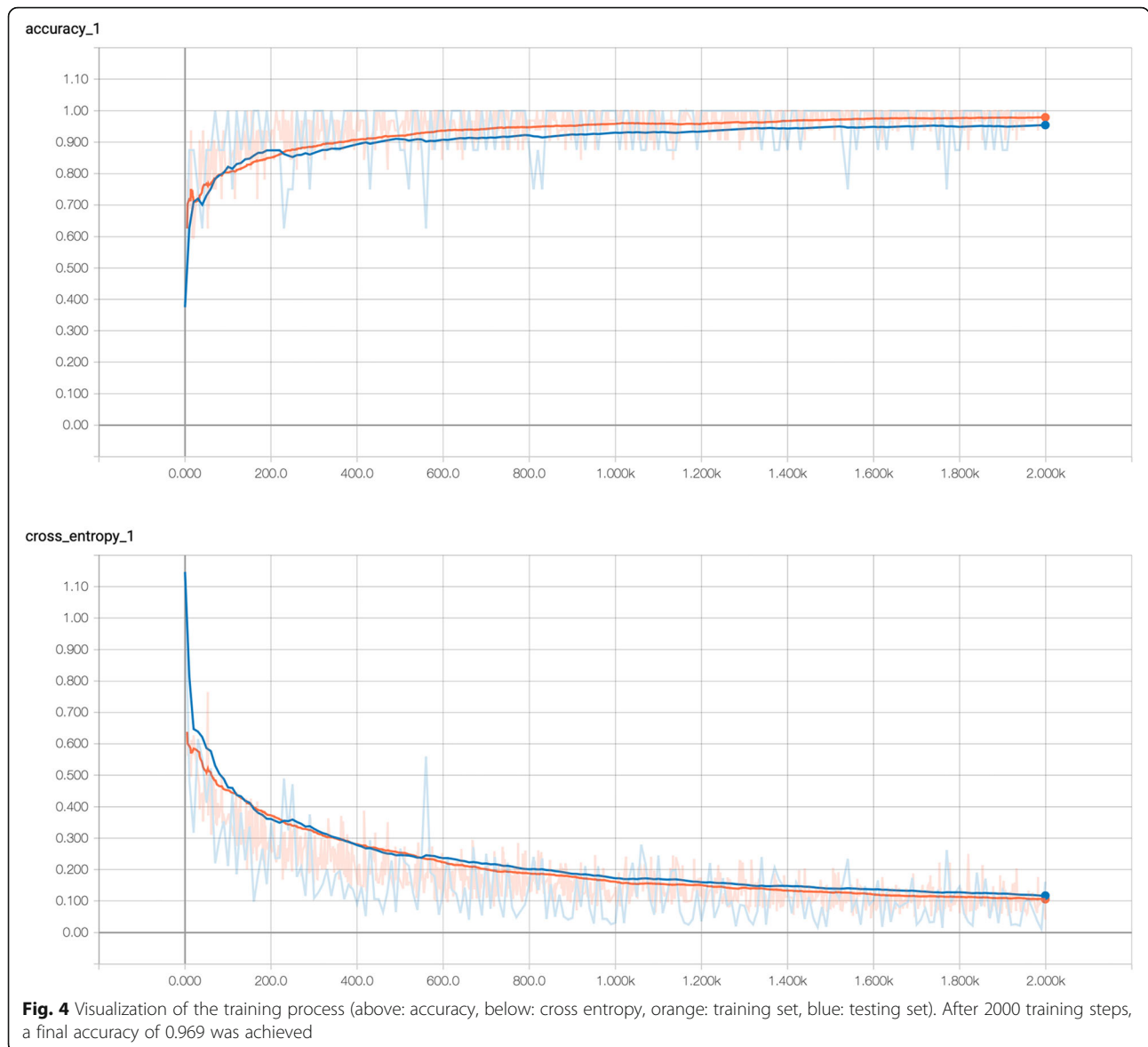
A TensorFlow model of the Inception V3 architecture [19], pretrained on ImageNet, was used to retrain the last fully connected layer. For the purpose of this study, we used the following standard hyperparameters: cross-entropy loss function, learning rate 0.01, batch size 32, and 2000 training steps. As the deep learning part was not the main focus, we did not attempt to optimize those settings

but chose reasonable hyperparameters known to result in adequate learning performance, while also allowing for training on standard a graphics processing unit (GPU). Nevertheless, various random data augmentation techniques, such as scaling (+ 10%), cropping (− 10%), brightness (+ 10%), and horizontal flip were used to improve generalizability as the dataset was rather limited. Before retraining the CNN, 8% of all images were selected randomly and set aside from the training set to be used for validation of the final model. To compensate for unbalanced group sizes in the training dataset, the images from the smaller group were upsampled to the number of the larger group.

The computation was performed on a single server (Intel Core i7-8700K CPU, 64 GB DDR RAM, NVIDIA GeForce GTX 1080 Ti GPU). The model’s predictions and corresponding probabilities on the final validation set were recorded in a CSV file and used for calculating the diagnostic performance of the model.

### Statistical analysis

All statistical analysis was done using R 3.4.0 with RStudio 1.1.463 [20]. Receiver operating curve (ROC) analysis was performed using the pROC package [21]. To calculate sensitivity, specificity, as well as positive and negative predictive value, the operating point that yielded the highest Youden’s index was selected from the ROC analysis.



**Results**

As usage of structured reporting for plain radiographs remained limited during the period included in this study (August 2017 and September 2018), only 157 out of 1186 ankle radiographs (equals to 13.2%) had been reported on by 16 different radiologists (mean reports per radiologist  $10 \pm 4$ ) using the structured reporting platform.

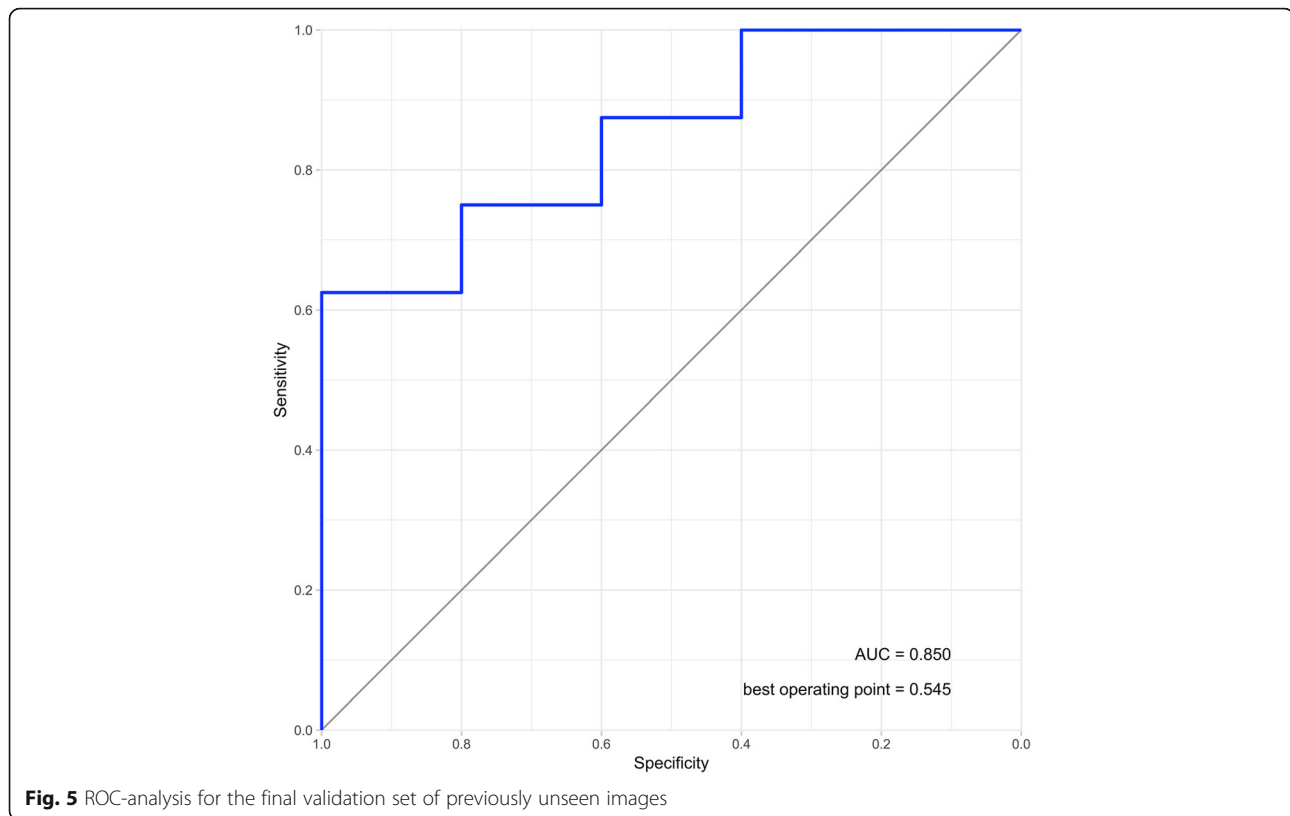
**Table 1** Confusion matrix showing the results on the final validation set

	Fracture (CNN)	No fracture (CNN)	Total
Fracture (true)	5	3	8
No fracture (true)	0	5	5
Total	5	8	13

For all of these 157 patients, anteroposterior ankle radiographs were available in the PACS and could be retrieved successfully. Mean patient age was 43.0 years ( $SD = 21.0$  years; 76 female and 81 male). For final training and analysis, 144 images were included (129 with fractures, 28 without apparent fractures). The remaining 13 patients (eight with fractures, five without apparent fractures) were set apart as final validation set.

In order to compensate for unbalanced group sizes in the training group, the 28 images showing no fracture were upsampled (i.e., copied repeatedly) during retraining of the network to balance out the 129 images showing fractures.

Once implemented and configured, completion of the whole workflow (from database query to final evaluation of model performance) took under 1 h (retraining of the



CNN accounted for around 35 min). The learning curve of the training process is shown in (Fig. 4).

After training, the model yielded a final accuracy (overall fraction of correct classification) of 0.769 (95% CI 0.742–0.796) on the unseen validation set (Table 1). Sensitivity was 0.625 (95% CI 0.290–1.0) and specificity 1.0 (95% CI 1.0–1.0) with a positive predictive value of 1.0 (95% CI 1.0–1.0) and a negative predictive value of 0.625 (95% CI 0.290–0.960) for presence of fracture. ROC analysis revealed an area under the curve (AUC) of 0.850 (95% CI 0.634–1.000) with an optimal operating point of 0.545 (Fig. 5).

## Discussion

Structured reporting has been described as the fusion reactor for radiology [22]. Various previous studies have shown that structured reports provide numerous advantages in clinical routine [23–30]. In this paper, we provide further evidence that structured reporting could play a crucial role in advancing developments in the field of radiology. Especially with the recent advent of deep learning techniques, there is a strong need for machine-readable accurate labels to images [2, 31, 32]. While many challenges of the past regarding computational power and technological issues for deep learning have been solved over the past few years, the main hurdle preventing radiology from leveraging the potential of these technologies has been a

lack of large data sets with high-quality labels. This is mostly due to the fact that radiological reports are still in most cases written as unstructured narrative text. Extraction of information from such free-text reports is time-consuming and depends on the completeness and the quality of the reports. Individual variations in language and style can lead to inconsistencies and uncertainties that could potentially impair the quality of the dataset. Therefore, researchers need to rely on manually reviewing and labeling data, which can be time-consuming and is therefore difficult to implement on a large scale. Theoretically, these challenges could be overcome by using natural language processing (NLP) to extract the relevant information from the radiological reports. However, this can potentially introduce a relevant number of incorrect labels to the dataset since generally sensitivity and specificity of such systems are only around 90% [33].

Our proposed workflow addresses these challenges since it utilizes data from structured reports generated during routine clinical practice. Thus, no additional workup of the dataset is needed to provide reliable and standardized labels for the training of deep learning algorithms. Considering that only a rather small fraction (13.2%) of all reports was created using the structured reporting templates during the period included in this study, it can be assumed that the performance of the trained model could substantially be improved if more radiographs would have had corresponding

structured reports. Certainly, the most important challenge radiologists face when using structured reporting is the notable change in workflow. In our case, the structured reporting platform required the user to use the mouse and the keyboard to input the report, thus preventing him from work with the PACS viewer while composing the report. Better integration of structured reporting tools (e.g., with speech recognition and tighter PACS integration) could help to improve the adoption of structured reporting in clinical routine.

The present study has some limitations: first, we did not re-evaluate the reports for diagnostic accuracy. Secondly, and certainly more importantly, the dataset used for the purpose of this study was rather small and unbalanced. There are several options to address such imbalances. In our case, we opted to apply oversampling of the underrepresented class (no fracture) as we did not want to discard any useful data. However, this approach has a certain tendency to overfit, since some examples are used multiple times. To alleviate this effect, we applied data augmentation techniques to the training dataset (scaling, flipping, cropping, etc.). Nevertheless, for a clinically applicable algorithm, other solutions to the class imbalance problem should be considered, such as undersampling, cost-sensitive learning, or other more advanced techniques [34–36].

Performance of the algorithm therefore needs to be viewed as only preliminary and not clinically useful, especially since a selection bias toward simple cases in which the radiologists were more comfortable using the structured reporting platform cannot be ruled out. However, this was beyond the intended scope of this study. The proposed workflow nevertheless clearly demonstrates and underlines the value of structured reporting in the context of machine learning and artificial intelligence and is in line with the key research priorities as defined by an intersociety roadmap for foundational research on artificial intelligence in medical imaging [37, 38]. Especially with the possibilities to link specific parts of the report content to ontologies such as RadLex, the IHE MRRT profile provides an interoperable way to allow for easier pooling of datasets across various institutions while maintaining reliable label data [18, 39].

## Conclusion

Of course, a widespread implementation of structured reporting will have a significant impact on the radiologist's daily work and may not be applicable to all cases and all clinical scenarios. Nevertheless, our study further highlights the need for to push toward more structured reporting in clinical routine, as it seems the most practical approach to obtain high-quality report data for various future developments. Users should therefore urge vendors to provide practical solutions that allow for easy access to and usage of report information for further analysis and usage in deep learning projects.

## Additional file

**Additional file 1:** cx.ankle.trauma template. (HTML 4 kb)

### Abbreviations

AUC: Area under the curve; CNN: Convolutional neural network; CPU: Central processing unit; CSV: Comma separated values (a file format); FDA: Food and drug administration; IHE MRRT: Integrating the healthcare enterprise management of radiological report templates; GPU: Graphics processing unit; JPEG: Joint photographic experts group (a file format); MySQL: My structured query language (a database management system); NLP: Natural language processing; PACS: Picture archiving and communication system; RIS: Radiology information system; ROC: Receiver operating curve; SD: Standard deviation

### Acknowledgements

Not applicable.

### Authors' contributions

DPDS led and coordinated this study. SB, GA, and TD developed and tested and implemented all scripts and the deep learning algorithm. DPDS, BB, and SHC performed the statistical analyzes and were major contributors in writing the manuscript. PM and FJ developed and implemented the reporting template and managed the reporting platform and contributed to the conception of the study. All authors read and approved the final manuscript.

### Funding

No funding was involved for this study.

### Availability of data and materials

The datasets used and/or analyzed during the current study are available from the corresponding author on reasonable request.

### Ethics approval and consent to participate

Due to the retrospective nature of the study, the need for ethics approval was waived.

### Consent for publication

Not applicable.

### Competing interests

The authors declare that they have no competing interests.

### Author details

<sup>1</sup>Department of Radiology, University Hospital of Cologne, Kerpener Str. 62, 50937 Cologne, Germany. <sup>2</sup>Department of Informatics, University Mainz, Mainz, Germany. <sup>3</sup>Department of Radiology, University Medical Center Mainz, Mainz, Germany. <sup>4</sup>Department of Surgery, University Hospital of Cologne, Cologne, Germany.

Received: 8 March 2019 Accepted: 9 August 2019

Published online: 23 September 2019

### References

- Lakhani P, Gray DL, Pett CR, Nagy P, Shih G (2018) Hello world deep learning in medical imaging. *J Digit Imaging* 31:283–289
- Choy G, Khalilzadeh O, Michalski M et al (2018) Current applications and future impact of machine learning in radiology. *Radiology*. 288:318–328
- Chartrand G, Cheng PM, Vorontsov E et al (2017) Deep learning: a primer for radiologists. *Radiographics* 37:2113–2131
- Chung SW, Han SS, Lee JW et al (2018) Automated detection and classification of the proximal humerus fracture by using deep learning algorithm. *Acta Orthop* 89:468–473
- Urakawa T, Tanaka Y, Goto S, Matsuzawa H, Watanabe K, Endo N (2018) Detecting intertrochanteric hip fractures with orthopedist-level accuracy using a deep convolutional neural network. *Skeletal Radiol* 41:63–66
- Kim DH, MacKinnon T (2018) Artificial intelligence in fracture detection: transfer learning from deep convolutional neural networks. *Clin Radiol* 73:439–445
- Wang X, Peng Y, Lu L, Lu Z, Bagheri M, Summers RM (2017) Chestx-ray8: hospital-scale chest x-ray database and benchmarks on weakly-supervised

- classification and localization of common thorax diseases Available via: <https://arxiv.org/abs/1705.02315>. Accessed 10 Dec 2018
8. Rajpurkar P, Irvin J, Bagul A et al (2018) MURA: large dataset for abnormality detection in musculoskeletal radiographs Available via: <https://arxiv.org/abs/1712.06957>. Accessed 10 Dec 2018
  9. Yan K, Wang X, Lu L, Summers RM (2017) DeepLesion: automated deep mining, categorization and detection of significant radiology image findings using large-scale clinical lesion annotations Available via: <https://arxiv.org/abs/1710.01766>. Accessed 10 Dec 2018
  10. Rajpurkar P, Irvin J, Zhu K et al (2017) CheXNet: radiologist-level pneumonia detection on chest X-rays with deep learning Available via: <http://arxiv.org/abs/1711.05225v3>. Accessed 10 Dec 2018
  11. Oakden-Rayner L (2018) CheXNet: an in-depth review Available via: <https://lukeoakdenrayner.wordpress.com/2018/01/24/chexnet-an-in-depth-review/>. Accessed 10 Dec 2018
  12. Morgan TA, Helibrun ME, Kahn CE Jr (2014) Reporting initiative of the Radiological Society of North America: progress and new directions. *Radiology*. 273:642–645
  13. European Society of Radiology (ESR) (2018) ESR paper on structured reporting in radiology. *Insights Imaging* 9:1–7
  14. Ganeshan D, Duong PT, Probyn L et al (2018) Structured reporting in radiology. *Acad Radiol* 25:66–73
  15. Pinto Dos Santos D, Scheibl S, Arnhold G et al (2018) A proof of concept for epidemiological research using structured reporting with pulmonary embolism as a use case. *Br J Radiol*. <https://doi.org/10.1259/bjr.20170564>
  16. Browning T, Giri S, Peshock R, Fielding J (2018) Utilization of structured reporting to monitor outcomes of Doppler ultrasound performed for deep vein thrombosis. *J Digit Imaging*. <https://doi.org/10.1007/s10278-018-0131-6>
  17. Pinto dos Santos D, Klos G, Kloeckner R, Oberle R, Dueber C, Mildenerberger P (2017) Development of an IHE MRRT-compliant open-source web-based reporting platform. *Eur Radiol* 27:424–430
  18. IHE Radiology Technical Committee (2018) IHE radiology technical framework supplement management of radiology report templates (MRRT) Available via: [https://www.ihe.net/uploadedFiles/Documents/Radiology/IHE\\_RAD\\_Suppl\\_MRRT.pdf](https://www.ihe.net/uploadedFiles/Documents/Radiology/IHE_RAD_Suppl_MRRT.pdf). Accessed 10 Dec 2018
  19. Google. Advanced guide to inception v3 on Cloud TPU. Available via: <https://cloud.google.com/tpu/docs/inception-v3-advanced>. Accessed 10 Dec 2018
  20. Team R (2016) RStudio: integrated development for R, Boston Available from: <https://www.rstudio.com>
  21. Robin X, Turck N, Hainard A et al (2011) pROC: an open-source package for R and S+ to analyze and compare ROC curves. *BMC Bioinformatics* 12:77
  22. Bosmans JM, Neri E, Ratib O, Kahn CE Jr (2015) Structured reporting: a fusion reactor hungry for fuel. *Insights Imaging* 6:129–132
  23. Bosmans JM, Weyler JJ, De Schepper AM, Parizel PM (2011) The radiology report as seen by radiologists and referring clinicians: results of the COVER and ROVER surveys. *Radiology*. 259:184–195
  24. Plumb AA, Grieve FM, Khan SH (2009) Survey of hospital clinicians' preferences regarding the format of radiology reports. *Clin Radiol* 64:386–396
  25. Grieve FM, Plumb AA, Khan SH (2010) Radiology reporting: a general practitioner's perspective. *Br J Radiol* 83:17–22
  26. Doğan N, Varlibaş ZN, Erpolat OP (2010) Radiological report: expectations of clinicians. *Diagn Interv Radiol* 16:179–185
  27. Lee B, Whitehead MT (2017) Radiology reports: what You think you're saying and what they think you're saying. *Curr Probl Diagn Radiol* 46:186–195
  28. Schwartz LH, Panicek DM, Berk AR, Li Y, Hricak H (2011) Improving communication of diagnostic radiology findings through structured reporting. *Radiology*. 260:174–181
  29. Brook OR, Brook A, Vollmer CM, Kent TS, Sanchez N, Pedrosa I (2015) Structured reporting of multiphase CT for pancreatic cancer: potential effect on staging and surgical planning. *Radiology*. 274:464–472
  30. Nörenberg D, Sommer WH, Thasler W et al (2017) Structured reporting of rectal magnetic resonance imaging in suspected primary rectal cancer: potential benefits for surgical planning and interdisciplinary communication. *Invest Radiol* 52:232–239
  31. Nguyen GK, Shetty AS (2018) Artificial intelligence and machine learning: opportunities for radiologists in training. *J Am Coll Radiol* 15:1320–1321
  32. Beam AL, Kohane IS (2018) Big data and machine learning in health care. *JAMA*. 319:1317–1318
  33. Pons E, Braun LM, Hunink MG, Kors JA (2016) Natural language processing in radiology: a systematic review. *Radiology*. 279:329–343
  34. Weiss GM, McCarthy K, Zabar B (2017) Cost-sensitive learning vs. sampling: which is best for handling unbalanced classes with unequal error costs? Proceedings of the 2007 international conference on data mining
  35. Chawla NV, Bowyer KW, O'Hall L, Kegelmeyer WP (2002) SMOTE: synthetic minority over-sampling technique. *J Artif Intell Res* 16:321–357
  36. He H, Bai Y, Garcia EA, Li S (2008) ADASYN: adaptive synthetic sampling approach for imbalanced learning. 2008 IEEE International Joint Conference on Neural Networks, Hong Kong, 1322–1328
  37. Pinto dos Santos D, Baeßler B (2018) Big data, artificial intelligence, and structured reporting. *Eur Radiol Exp*. <https://doi.org/10.1186/s41747-018-0071-4>
  38. Langlotz CP, Allen B, Erickson BJ et al (2019) A roadmap for foundational research on artificial intelligence in medical imaging: from the 2018 NIH/RSNA/ACR/the academy workshop. *Radiology*. 291:781–791
  39. Rubin DL (2008) Creating and curating a terminology for radiology: ontology modeling and analysis. *J Digit Imaging* 21:355–362

## Publisher's Note

Springer Nature remains neutral with regard to jurisdictional claims in published maps and institutional affiliations.

**Submit your manuscript to a SpringerOpen® journal and benefit from:**

- Convenient online submission
- Rigorous peer review
- Open access: articles freely available online
- High visibility within the field
- Retaining the copyright to your article

Submit your next manuscript at ► [springeropen.com](https://www.springeropen.com)