

RESEARCH ARTICLE

Open Access



Reconstruction of the pulmonary posterior wall using in situ autologous tissue for the treatment of pulmonary atresia with ventricular septal defect

Chengming Fan, Yifeng Yang, Lian Xiong, Ni Yin, Qin Wu, Mi Tang and Jinfu Yang*

Abstract

Background: To evaluate the early and mid-term results of pulmonary trunk reconstruction using a technique in which autogenous tissue is preserved in situ in pulmonary atresia patients with a ventricular septal defect (PA-VSD).

Methods: The pulmonary artery was reconstructed using autogenous tissue that had been preserved in situ and a bovine jugular venous patch in 24 patients who were diagnosed with PA-VSD (the observation group). The traditional operation using a bovine jugular venous conduit was performed in 40 other cases of PA-VSD (the control group).

Results: In the observation group, all patients survived and recovered successfully without complications. Follow-up echocardiography 2–10 years after the procedure showed that the reconstructed right ventricular outflow tract (RVOT) and pulmonary artery were patent, showing no evidence of flow obstruction. Only mild regurgitation of the bovine jugular vein valve was observed. In the control group, early postoperative death occurred in two cases. Another two patients had obstruction of the anastomotic stoma and underwent conduit replacement surgery within 2 weeks of the initial procedure. During the 2–10 years of follow-up care, six patients presented with valvular stenosis of the BJVC, with a pressure gradient of more than 50 mmHg.

Conclusions: The technique for preserving autogenous tissue to reconstruct the pulmonary posterior wall is a satisfactory method for treating PA-VSD.

Keywords: Congenital heart disease, Pulmonary atresia, Pulmonary reconstruction, In situ autogenous tissue

Background

Pulmonary atresia with ventricular septal defect (PA-VSD) is a rare and complex cyanotic congenital heart malformation that has a high incidence of early mortality. Although surgical interventions have been employed successfully for a number of years, the long-term prognosis has remained poor with an increased incidence of sudden death [1]. In 1955, Lillehei et al. successfully corrected an atresia of the main pulmonary artery (MPA) and a ventricular defect in a patient who had been diagnosed with PA-VSD by anastomosing the distal pulmonary artery with the right ventricle [2]. A decade

later, Rastelli and colleagues reported a case in which a cardiac conduit from the right ventricle to the pulmonary trunk was used to treat the abnormality [3]. Various extracardiac valved conduits have subsequently been used to correct a right ventricle to pulmonary artery discontinuity since Ross and Somerville successfully employed a homograft aortic valved conduit in 1966 [4]. Weldon et al. reported the same result 2 years later [5]. In 1973, PA-VSD was successfully employed by Bowman and colleagues, who used a Dacron conduit containing a porcine heterograft aortic valve [6]. Despite these improvisations to the Rastelli procedure, most patients with PA-VSD have had to undergo repeated surgeries resulting from first conduit failure because of either calcification or degeneration of the extracardiac graft or a

* Correspondence: yjf19682005@sina.com

Department of the cardiovascular surgery, the Second Xiangya Hospital, Central South University, Middle Renmin Road 139, 410011 Changsha, China



mismatch of biologic prosthesis. Thus, treating a ventricle-pulmonary artery discontinuity remains a major challenge; surgeons have tried to develop an ideal prosthesis while concomitantly developing techniques to reconstruct the right ventricular outflow tract (RVOT) [7, 8]. Herein, we describe a strategy that was performed on 24 patients who were diagnosed with PA-VSD in which autogenous tissue was preserved in situ as the posterior part of a newly reconstructed pulmonary artery. Forty PA-VSD patients underwent control surgeries using the Rastelli procedure of connecting a bovine jugular venous conduit (BJVC) between the right ventricle and the bifurcation of the MPA.

Methods

Clinical data

At the Second Xiangya Hospital of Central South University from January 2007 to December 2015, 24 children who had been diagnosed with PA-VSD underwent a pulmonary artery reconstruction technique in which autogenous tissue was preserved in situ. In the control group of 40 other PA-VSD patients, the Rastelli procedure was conducted, in which a BJVC was placed from the right ventricle to the pulmonary artery confluence (Table 1). None of the patients had previously received surgical intervention, and patients with MAPCAs that required unifocalization were eliminated from the study. Severe cyanosis was typically observed in all cases, and the level of skin oxygen saturation in the limbs ranged from 65 to 82% at rest conditions. Chest X-rays showed a typical appearance of a “boot-shaped” heart. The diagnosis of PA-VSD was confirmed by echocardiography and computed tomography (CT) cardiac imaging. Echocardiography demonstrated hypertrophy of the right atrium and ventricle, no pulmonary blood flow directly from the right ventricle to pulmonary artery, and a ventricular septal defect (VSD). Additionally, 44 cases had patent ductus arteriosus (PDA), and 36 cases had major aortopulmonary collateral arteries (MAPCA) of the descending aorta, with 16 cases having

both PDA and MAPCA. Examination by CT cardiac imaging showed neither a direct connection between the right ventricle and the pulmonary artery nor that PDA or MAPCA co-existed (Fig. 1). The blood supply of the lung was accurately assessed by multidetector computed tomography angiography and/or selective catheter angiography to confirm that pulmonary artery confluence existed and that no parts of the lung were supplied only by the MAPCAs. There were no major coronary arteries crossing the RVOT in any patients. Prior consent from all patients and approval from the local Institutional Research Ethics Committee were obtained.

Surgical procedure

All patients underwent a cardiopulmonary bypass surgical procedure under moderate hypothermia (28–30 °C). Following a thorough examination of the left and right branches of the distal inherent pulmonary artery, the blind end inherent pulmonary artery (BE), visceral layer of pericardium (VLP) and the long fibrous cord of pulmonary atresic tissue (PAT) (Fig. 2a), a right ventricular longitudinal incision was made and extended. Similarly, the anterior wall of the inherent pulmonary artery was longitudinally incised to the BE (Fig. 2b), with the PAT and VLP being reserved. A suitable BJVC (diameter from 14 mm to 18 mm (mean 15 mm) according to the body weight and the visceral pericardium and atresic pulmonary artery tissue) was selected and longitudinally incised along the junction of the valve leaflets to prepare a bovine jugular venous patch (BJVP). The BJVP was then continuously sutured with the left lateral wall of the ascending aorta (Fig. 2c) and the PAT to reconstruct a new pulmonary artery (mean diameter is 17 mm), from which autologous tissue (the PAT, the VLP and the left lateral wall of the ascending aorta) was preserved for the partial pulmonary right lateral and posterior wall (Fig. 2d). While suturing the brim of the longitudinal incision and the margin of the BJVP, it was observed that the bovine jugular venous valves should be sutured in situ with the normal pulmonary valves without injuring the nearby coronary artery. In the control group, a BJVC (diameter from 15 mm to 19 mm (mean 17 mm) according to the body weight) between the right ventricle and pulmonary artery confluence was routinely constructed. All of the children in this study received anticoagulation therapy with low-dose aspirin for 6 months post-surgery.

Statistical analysis

Data are expressed as the mean \pm SE and median. All statistical calculations were performed using the Statistical Product and Service Solutions 14.0 software (SPSS Institute). χ^2 test, Log-rank test and Gehan-Breslow-Wilcoxon test were performed to determine differences

Table 1 Preoperative data from the two groups

	Observation group	Control group	P Value
Gender (male/female)	10/14	16/24	0.311
Age (month median)	12.12	19.84	0.001
Body weight (kg median)	9.478	12.870	0.003
Hemoglobin (g/L)	162 \pm 19	165 \pm 13	0.721
Oxygen blood pressure (mmHg)	71 \pm 9	69 \pm 7	0.589
Pulmonary artery index (mm ² /m ²)	175 \pm 15	179 \pm 11	0.513
Mcgoon index (median)	1.72	1.76	0.483
PA-VSD Type A (case)	18	30	
PA-VSD Type B (case)	6	10	

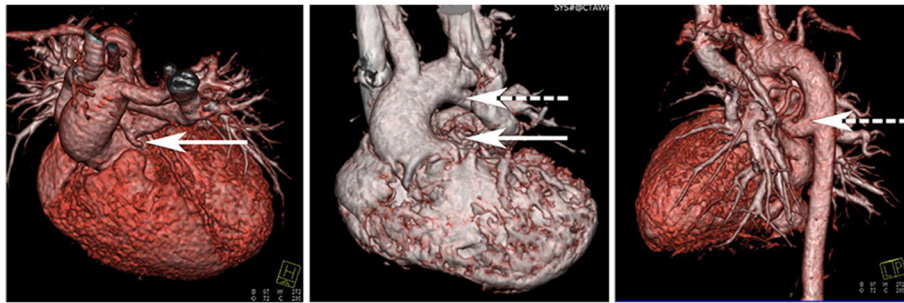


Fig. 1 Computed tomography angiography pre-surgery. *Block arrows highlight the pulmonary atresia, and the dashed arrows highlight the patent ductus arteriosus (PDA) or the major aortopulmonary collateral arteries (MAPCA)*

between the two groups. The critical alpha level for these analyses was set at $p < 0.05$.

Results

The mean bypass and cross clamp times were similar in the observation and control groups. The postoperative ventilator support time, the duration of stay in the

intensive care unit (ICU), and postoperative residence time were also not significantly different between the groups (Table 2). Postoperative examination in both groups showed complete repair of the cardiac malformations. There were no manifestations of cyanosis and the level of skin oxygen saturation in the limbs rose to 96–100% at rest conditions. In the observation group, follow-up echocardiography 2–10 years post-procedure (mean follow-up duration was 4.196 years) showed that the reconstructed RVOT and pulmonary artery were patent, with no evidence of flow obstruction or residual VSD. Only mild regurgitation of the bovine jugular vein valve was observed in all patients (Fig. 3a). CT cardiac imaging also confirmed that the morphology and function of the reconstructed RVOT and pulmonary artery appeared appropriate in all cases (Fig. 3b). In the control group, two patients had low cardiac output syndrome and anuria that showed short-term improvement during peritoneal dialysis treatment; however, after 12 and 20 days, they died of multiple organ failure and disseminated intravascular coagulation. Another two cases had anastomotic obstruction and underwent conduit replacement surgery within 2 weeks of the initial procedures because of pulmonary anastomotic stenosis (pressure gradient of 46 mmHg) and obstruction angulation of conduit (pressure gradient of 32 mmHg). Further, during the 2–10 years of follow-up care (mean follow-up

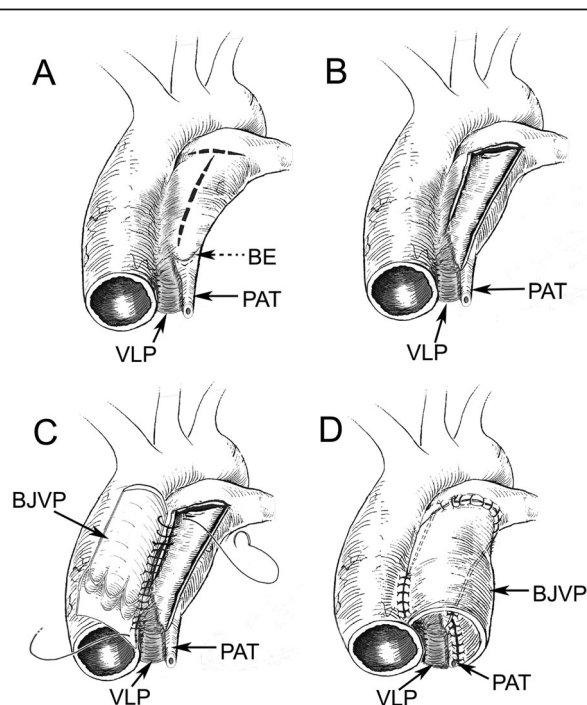


Fig. 2 Diagram of the procedure for pulmonary atresia. **a** Thorough examination of PAT, VLP and the BE of pulmonary. **b** Longitudinal incisions of the inherent pulmonary artery to the BE of pulmonary with the reservation of the PAT and VLP. **c** A suitable BJVP was selected and then continuously sutured with left lateral wall of the ascending aorta. **d** Continuously sutured the other end of BJVP with the PAT to reconstruct a new pulmonary artery whereby PAT and VLP were preserved for the partial pulmonary right lateral and posterior wall. Figure **a–d**: BE: blind end of pulmonary artery; BJVP: bovine jugular venous patch; PAT: pulmonary atresia tissue; VLP: visceral layer of pericardium

Table 2 Postoperative data from the two groups

	Observation group	Control group	P Value
Cardiopulmonary bypass time (min)	102 ± 18	99 ± 22	0.733
Aortic cross clamp time (min)	85 ± 10	82 ± 13	0.409
Mechanical ventilation time (h)	68 ± 23	73 ± 18	0.313
ICU residence time (d)	5.5 ± 2.2	6.2 ± 2.4	0.198
Postoperative residence time (d)	20 ± 3	26 ± 2	0.208
Re-intervention (case)	0	8	0.031

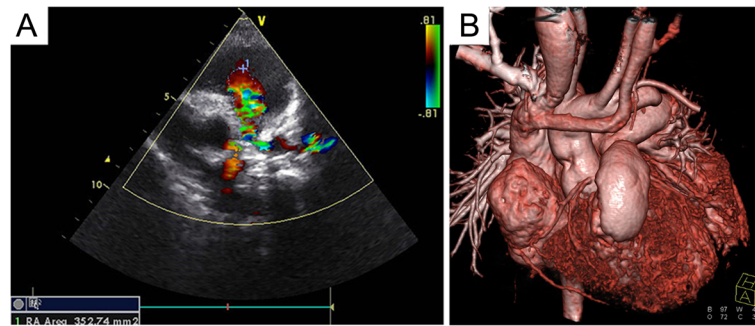


Fig. 3 Echocardiography and computed tomography angiography post-surgery. **a** The echocardiographic findings of a case 6 months after the operation shows the blood passing through the reconstructed right ventricular outflow tract (RVOT) and pulmonary artery with a slightly higher speed and only mild pulmonary regurgitation; **b** Postoperative computed tomography angiography shows that the reconstructed RVOT and pulmonary trunk consist of the bovine jugular venous patch (BJVP) and the autologous tissue

duration is 5.378 years) in the control group, 36 patients presented with varying degrees of valvular stenosis of the BJVC. As a result, 4 patients with a pressure gradient greater than 50 mmHg underwent balloon valvuloplasty due to poor valve activity, and two patients with a pressure gradient greater than 85 mmHg underwent conduit replacement. Statistical analysis showed significant differences of freedom reintervention between these groups (Fig. 4).

Discussion

PA-VSD accounts for approximately 2% of all congenital heart disease cases and is one of the most common causes of cyanosis and hypoxemia in neonates. The pathological anatomic characteristics of PA-VSD include VSD, intramuscular or valvar atresia of the pulmonary artery, an overriding of the aorta, and PDA or MAPCAs. According to the classification presented by Castaneda et al., there are four types of PA-VSD [9]. In this study, 48 of the patients were type A, and 16 patients were type B (Table 1). Selection of the surgical procedure for treatment of PA-VSD depends mainly on development of the right ventricle and the pulmonary artery [10]. There are two evaluation indices for pulmonary artery development that can be considered: the McGoon index and the

pulmonary artery index (PAI) [11]. A patient is considered suitable for radical repair if the McGoon index is greater than 1.2 or the PAI is greater than 150 mm²/m², suggesting no severe hypoplasia of the pulmonary artery, which indicates that a patient would be a suitable candidate for radical repair.

Currently, the most common method of radical repair for the treatment of PA-VSD is the classical Rastelli procedure, in which a right ventriculotomy is repaired with an artificial patch. Following the ligation of the co-existing PDA or MAPCAs, the remnant pulmonary trunk is excised, the proximal end is closed, and a vascular prosthesis is then used to connect the right ventricle and the pulmonary artery.

Despite the short-term success of employing different conduit modifications of the Rastelli procedure [7, 8, 12–14], many common complications remain. These include conduit dilation, twisting, thrombosis, calcification, endocarditis, arrhythmia and re-stenosis [15–17]. Shebani et al. [12] found that the early mortality rate resulting from conduit dilation, complete conduit thrombosis, and sudden arrhythmia was 6.4%, as determined from a retrospective analysis of 62 cases of RVOT and pulmonary trunk reconstruction using a bovine Contegra valved conduit. Distal conduit stenosis at the suture line associated with a size-mismatch with the conduit being too small was the main indicator for conduit-related secondary intervention. The high incidence of conduit-related complications, particularly with smaller conduits, included characteristics such as neointimal proliferation, thrombosis, calcification, and chronic inflammation. Reoperation is therefore inevitable for some patients with pulmonary atresia (PA) who receive a heterograft or homograft in a primary Rastelli operation. To treat PA-VSD, Chiu and colleagues [13] adopted a method used in the repair of Fallot’s tetralogy, a congenital heart defect that is understood to involve four anatomical abnormalities, in which a piece of fresh

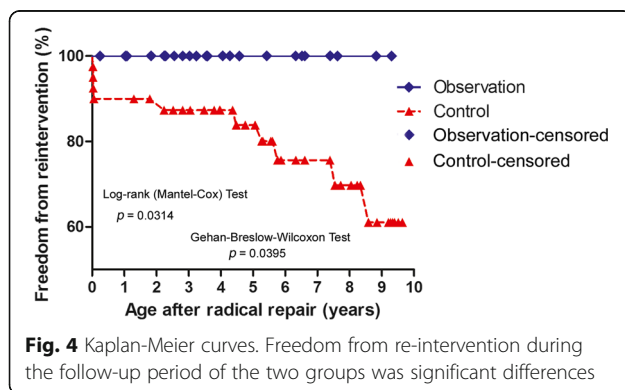


Fig. 4 Kaplan-Meier curves. Freedom from re-intervention during the follow-up period of the two groups was significant differences

pericardium is harvested and sutured to cover the anterior part of the RVOT. However, pulmonary regurgitation and tricuspid regurgitation are common complications of this procedure. Schreiber et al. [14] replaced the traditional conduit with the Shelhigh No-React (NR-4000PA series)-treated porcine pulmonic valve conduit (SPVC). However, they concluded that a small-sized SPVC cannot be considered an ideal conduit in the reconstruction of the RVOT because although the No-React-treated valve largely resisted calcification, pseudointimal peel formation was found in all explanted conduits and led to multilevel conduit stenosis. Moreover, after reviewing the long-term results of RVOT and pulmonary trunk reconstruction with homografts, Kim et al. [7] determined that although long-term survival was excellent, freedom from reoperation was unsatisfactory, particularly in patients who had small grafts in the initial repair. After analyzing a large patient cohort, Sekarski et al. concluded that smaller pulmonary arteries increase the risk of surgical intervention when using a BJVC to reconstruct the RVOT [8]. Thus, alternative surgical strategies that do not employ small grafts must be considered for young children. In most Chinese areas, especially in rural areas, because of economic considerations, the patient's custodian tends to refuse to repeat surgical procedures; thus, the BJVC were more commonly used in older children, and BJVP were used more in young children, as shown in Table 1.

Another problem with using an extra-cardiac conduit is that it is difficult to achieve a physiologic linear flow. In the 1920s, Dean [18] described the phenomenon of secondary flow when he used a constant and circular cross-section curved vessel model in a study of the streamline motion of fluid in a curved pipe. As a result, scholars later defined $De = 4 Re \sqrt{2a/R}$ as the Dean number, where Re is the parameter of Reynolds, a is the radius of the pipe, and R is the curvature radius of the curved pipe (Fig. 5). The lower the degree of curvature is, the smaller the resulting Dean number is. This implies a smaller impact force against the wall with resultant lower energy losses. When parameter R approaches infinity, the pipe tends to be straight, and the flow tends to be linear. On the one hand, energy consumption of blood flow is partially used for the vascular wall, leading to an additional right ventricular load; on the other hand, the force against the wall brought by deviating blood flow can itself induce the dilation and failure of a vascular prosthesis. Moreover, secondary flow can lead to the accumulation of blood cells, resulting in conduit failure resulting from a build-up of platelets on the outer side of the curve.

To address the problems described, the 24 cases in this study were radically repaired using a procedure in which autogenous tissue was preserved in situ to reconstruct the pulmonary posterior wall. During the follow-

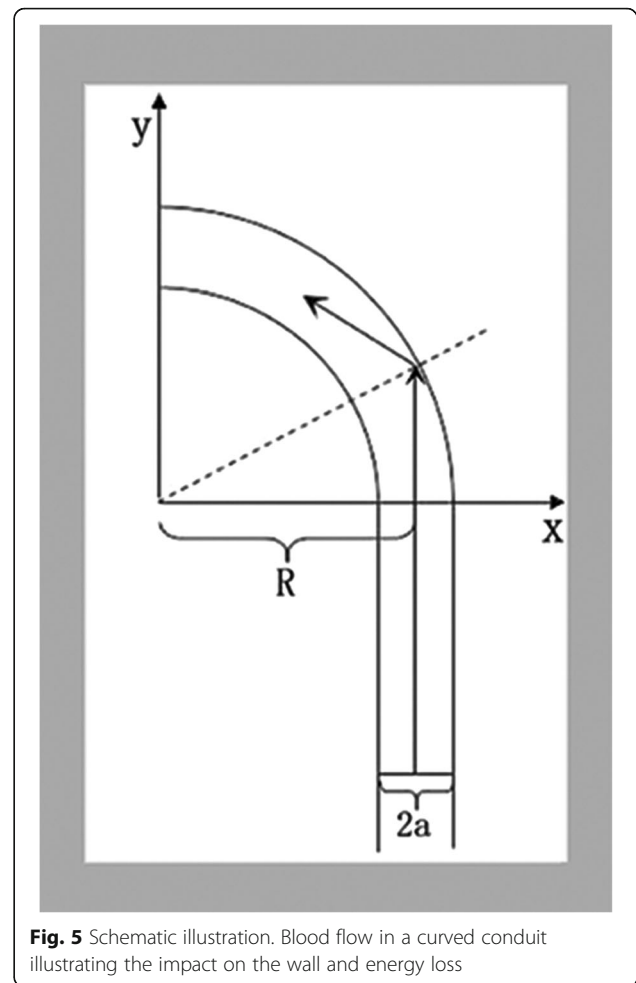


Fig. 5 Schematic illustration. Blood flow in a curved conduit illustrating the impact on the wall and energy loss

up care period, only mild regurgitation of the bovine jugular vein valve was observed in all patients. In the control group, two patients had severe anastomotic stenosis and underwent a further conduit replacement procedure in the early postoperative stage, four patients underwent balloon valvuloplasty and two patients underwent conduit replacement due to stenosis of the BJVC. The most significant differences between the procedures described in the observation group and the control group are as follows: 1. There was a more efficient relief of the right ventricular outflow tract obstruction. 2. The linear bloodstream flow solved the problem of right ventricular overload compared with a traditional conduit that involves the grade climbing of non-linear bloodstream flow. 3. A valved conduit reduced regurgitation, even when there was a gap present between the posterior wall and the bovine valve leaflets. It is important to note, however, that the minimal pulmonary regurgitation did not affect the function of the right ventricle. 4. This technique avoided the severance of remnant pulmonary trunk. Because the preserved autologous vascular bed could stimulate the continual development of the

residual pulmonary trunk, young patients, especially children, who receive this procedure will generally not require future conduit replacement. 5. This surgical technique is suitable for PA and does not carry a risk of the major coronary arteries crossing the RVOT.

Conclusion

Reconstructing the pulmonary posterior wall by using in situ autologous tissue is a satisfactory method for treating PA-VSD. Increasing the sample size and continued follow-up care are necessary to fully assess the long-term benefits and advantages of the procedure.

Abbreviations

BE: the blind end of inherent pulmonary artery; BJVC: bovine jugular venous conduit; BJVP: bovine jugular venous patch; CPB: cardiopulmonary bypass; CT: computed tomography; MAPCA: major aortopulmonary collateral arteries; PA: Pulmonary atresia; PAI: Pulmonary artery index; PAT: Pulmonary atresic tissue; PA-VSD: Pulmonary atresia with ventricular septal defect; PDA: Patent ductus arteriosus; RVOT: Right ventricular outflow tract; RVOTO: Right ventricular outflow tract obstruction; SPVC: Shelhigh No-React (NR-4000PA series)-treated porcine pulmonic valve conduit; VLP: Visceral layer of pericardium; VSD: Ventricular septal defect

Acknowledgments

Not applicable.

Funding

This study was supported by the Major Research Plan of the National Natural Science Foundation of China (No. 91539111).

Availability of data and materials

The datasets from the current study are available from the corresponding author upon request.

Authors' contributions

JY, YY and CF carried out the design of the operative procedure for the technique, performed all the operations and wrote the manuscript. NY carried out the data collection. LX carried out the figure collection. QW and MT carried out the data analysis. All authors read and approved the final manuscript.

Competing interests

The authors declare that they have no competing interests.

Consent for publication

Written consent was obtained from the patients' custodians for publication of the study. All authors have read and approved the content and agree to submit it for consideration for publication in your journal.

Ethics approval and consent to participate

Prior consent from all patients and approval from the local Institutional Research Ethics Committee were obtained.

Received: 9 August 2016 Accepted: 21 February 2017

Published online: 23 February 2017

References

- Leonard H, Derrick G, O'Sullivan J, Wren C. Natural and unnatural history of pulmonary atresia. *Heart*. 2000;84(5):499–503.
- Lillehei CW, Cohen M, Warden HE, Read RC, Ausy JB, Dewall RA, et al. Direct vision intracardiac surgical correction of the tetralogy of Fallot, pentalogy of Fallot, and pulmonary atresia defects: report of first ten cases. *Ann Surg*. 1955;142(3):418–42.
- Rastelli GC, Ongley PA, Davis GD, Kirklin JW. Surgical repair for pulmonary valve atresia with coronary-pulmonary artery fistula: report of case. *Mayo Clin Proc*. 1965;40(40):521–7.

- Ross DN, Somerville J. Correction of pulmonary atresia with a homograft aortic valve. *Lancet*. 1966;288(2):1446–7.
- Weldon CS, Rowe RD, Gott VL. Clinical experience with the use of aortic valve homografts for reconstruction of the pulmonary artery, pulmonary valve, and outflow portion of the right ventricle. *Circulation*. 1968;37(4 Suppl):II51–61.
- Bowman Jr FO, Hancock WD, Malm JR. A valve-containing dacron prosthesis. Its use in restoring pulmonary artery-right ventricular continuity. *Arch Surg*. 1973;107(5):724–8.
- Kim HW, Seo DM, Shin HJ, Park JJ, Yoon TJ. Long term results of right ventricular outflow tract reconstruction with homografts. *Korean J Thorac Cardiovasc Surg*. 2011;44(2):108–14.
- Sekarski N, van Meir H, Rijlaarsdam ME, Schoof PH, Koolbergen DR, Hruđa J, et al. Right ventricular outflow tract reconstruction with the bovine jugular vein graft: 5 years' experience with 133 patients. *Ann Thorac Surg*. 2007;84(2):599–605.
- Castaneda AR, Jonas RA, Mayer JE, et al. Tetralogy of Fallot. In: Castaneda AR, Jonas RA, Mayer JE, editors. *Cardiac Surgery of the Neonate and Infant*. Philadelphia: WB Saunders; 1994. p. 215–34.
- Miyamoto T, Nobuhiro N, Kagami M, Kanamoto S, Kazuo K. Cavopulmonary connection after repair of no confluent pulmonary atresia and total anomalous pulmonary venous connection. *J Thorac Cardiovasc Surg*. 2003; 125(3):731–3.
- Nakata S, Imai Y, Takashi Y, Kurosawa H, Tezuka K, Nakazawa M, et al. A new method for the quantitative standardization of cross-sectional areas of the pulmonary arteries in congenital heart diseases with decreased pulmonary blood flow. *J Thorac Cardiovasc Surg*. 1984;88(4):610–9.
- Shebani SO, McGuirk S, Baghai M, Stickley J, De Giovanni JV, Bu'lock FA, et al. Erratum to Right ventricular outflow tract reconstruction using Contegra valved conduit: Natural history and conduit performance under pressure. *Eur J Cardiothorac Surg*. 2006;29(3):397–405.
- Chiu IS, Chen MR, Chen SJ, Wang JK, Tsai SK, Wu SJ, et al. Valveless outflow reconstruction using autologous tissue as a posterior wall for pulmonary atresia with ventricular septal defect. *J Formos Med Assoc*. 2001;100(3):162–7.
- Schreiber C, Sassen S, Kostolny M, Hörer J, Cleuziou J, Wottke M, et al. Early graft failure of small-sized porcine valved conduits in reconstruction of the right ventricular outflow tract. *Ann Thorac Surg*. 2006;82(1):179–85.
- Ong KK, Shankar S, Wong KY, Ng MP. The 'Rastelli' operation—results at the Singapore General Hospital. *Singapore Med J*. 1995;36(2):191–3.
- Brawn WJ, Barron DJ. Technical aspects of the Rastelli and atrial switch procedure for congenitally corrected transposition of the great arteries with ventricular septal defect and pulmonary stenosis or atresia: results of therapy. *Semin Thorac Cardiovasc Surg Pediatr Card Surg Annu*. 2003;6(1):4–8.
- Corno AF, Qanadli SD, Sekarski N, Artemisia S, Hurni M, Tozzi P, et al. Bovine valved xenograft in pulmonary position: medium-term follow-up with excellent hemodynamics and freedom from calcification. *Ann Thorac Surg*. 2004;78:1382–8.
- Dean WR. The stream-line motion of fluid in a curved pipe. *Philos Mag ser*. 1928;75:675–95.

Submit your next manuscript to BioMed Central and we will help you at every step:

- We accept pre-submission inquiries
- Our selector tool helps you to find the most relevant journal
- We provide round the clock customer support
- Convenient online submission
- Thorough peer review
- Inclusion in PubMed and all major indexing services
- Maximum visibility for your research

Submit your manuscript at
www.biomedcentral.com/submit

